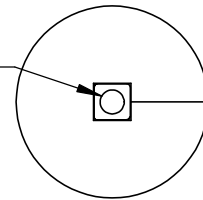


**Notes:**

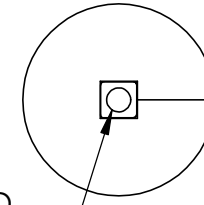
1) All dimensions in inches.

2) Painted gray post fabrication.

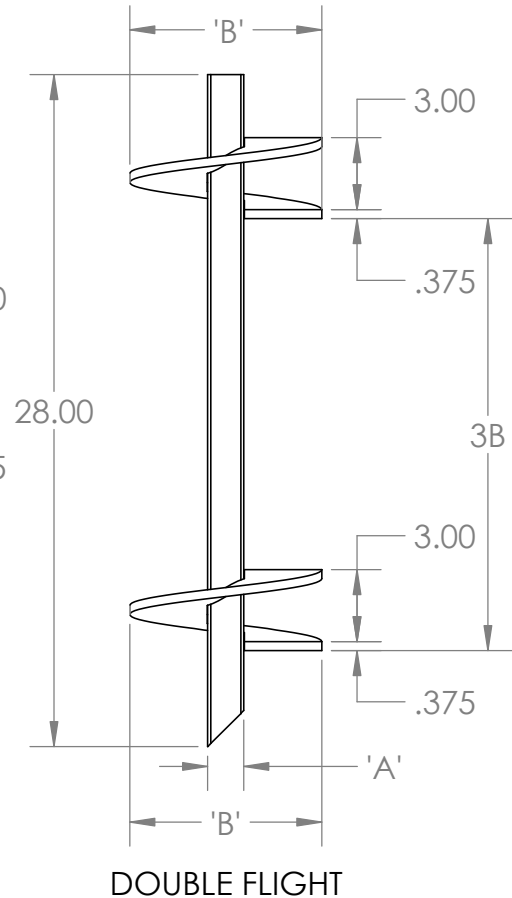
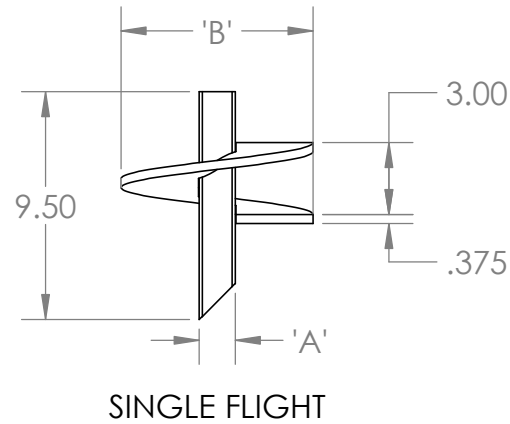
DRILLED & TAPPED  
FOR USE WITH 'C' SIZED  
THREADED END ANCHOR ROD



DRILLED & TAPPED  
FOR USE WITH 'C' SIZED  
THREADED END ANCHOR ROD



PART NUMBER	'A'	'B'	'C'	WEIGHT (LBS)
G82-6	1-3/8"	8"	5/8"	10.5
G102-6	1-3/8"	10"	5/8"	13.5
G112-6	1-3/8"	12"	5/8"	17
G84-6	1-3/8"	8"	3/4" OR 1"	10.5
G104-6	1-3/8"	10"	3/4" OR 1"	13.5
G114-6	1-3/8"	12"	3/4" OR 1"	17
G134-6	1-3/8"	14"	3/4" OR 1"	21.5
G84-2-6	1-3/8"	8"	3/4" OR 1"	26.5
G104-2-6	1-3/8"	10"	3/4" OR 1"	32.5
G182	1-1/2"	8"	5/8"	11
G1102	1-1/2"	10"	5/8"	14
G184	1-1/2"	8"	3/4" OR 1"	11
G1104	1-1/2"	10"	3/4" OR 1"	14
G1114	1-1/2"	12"	3/4" OR 1"	17.5
G1134	1-1/2"	14"	3/4" OR 1"	22
G284	1-1/2"	8"	3/4" OR 1"	28
G2104	1-1/2"	10"	3/4" OR 1"	34



**Unless otherwise noted:**

All dimensions are in inches

Degrees: +/- 5.0

0 place decimal: +/- 0.1

1 place decimal: +/- 0.01

2 place decimal: +/- 0.03

REV REV DATE ECR #



**MATERIAL:** ROUND CORNERED SQUARE  
STEEL BAR & 3/8" STEEL PLATE

POWER-GRIP HUB ANCHOR

**P/N:** POWER-GRIP HUB ANCHOR - DATASHEET

**WEIGHT:** SEE TABLE

**Date:** 10/6/2022

**DRAWN BY:** JM

**Rev:** A