



ALUMA-FORM®

FIBERGLASS DEAD-ENDS & TANGENT ARMS





FIBERGLASS DEAD-ENDS & TANGENT ARMS

The Best Option for Fiberglass Dead-End & Tangent Arms!

Fiberglass Dead-End Arms and Tangent Cross Arms are now available with the quality and performance you expect from Aluma-Form. Our dead-end arms are available a choice of pole gains (with and without guy attachments). Tangent arms are offer with our high strength Aluminum Pole Gain.

The Aluma-Form Advantage: Superior Performance

Our fiberglass tubes provide superior strength and durability. Aluma-Form's proprietary veiled fiberglass design provides superior UV, tracking and abrasion resistance.

Aluma-Form Quality

Aluma-Form has a long history of providing quality products for the Electric Utility industry. You can expect the same quality in every Dead-End Arm and/or Tangent Cross Arm you receive, helping the job get done right the first time.

Speed and Flexibility

Need your Dead-End or Tangents custom designed? No problem – just contact us or your local representative. With the best lead-times in the industry, Aluma-Form can deliver your arms when you need them!



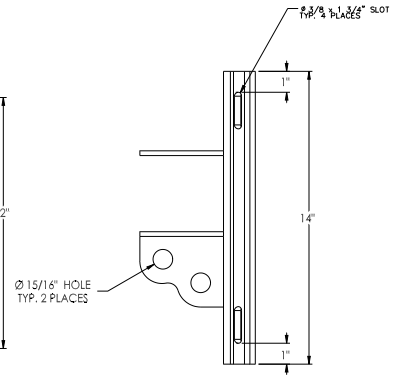
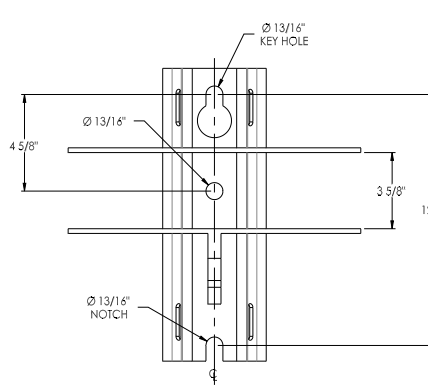
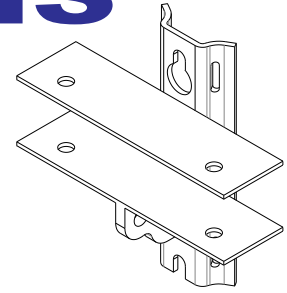
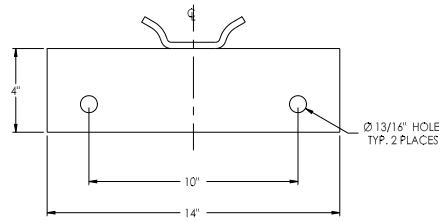
FIBERGLASS DEAD-END ARM POLE GAINS

FDA-FG

Material Specifications

Pole Gain

- Hot rolled steel, continuous welds, galvanized per ASTM A153 (12" mounting centers)
- 2 guy attachment positions - rated at 30,000# per hole
- Accepts 3/4" pole mounting hardware
- Can be banded using the Aluma-Form Bolt-A-Band™ banding system

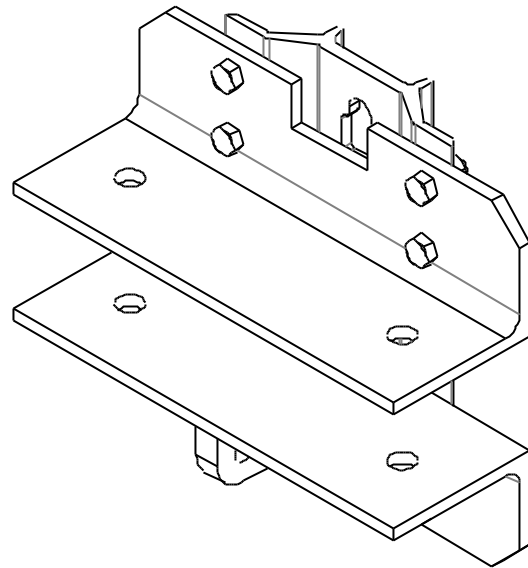


FDA-AG

Material Specifications

Pole Gain

- 6061-T6 Aluminum (10 or 12" mounting centers)
- Accepts 3/4" pole mounting hardware
- Can be banded using the Aluma-Form Bolt-A-Band™ banding system





FIBERGLASS DEAD-END ARMS

ALUMA-FORM®

FDA - 20 B - 2 - 120 - EB IP - FG

Fiberglass Dead-end Arm

Strength Class

- 20 - Standard Duty
- 25 - Heavy Duty
- 30 - Extra Heavy Duty
- 40 - 4" X 6" Heavy Duty
- 40X - 4" X 6" Extra Heavy Duty

Color

- Blank - Gray
- B - Brown

Number of Conductors

- 2 - 2 wire
- 3 - 3 wire *
- 4 - 4 wire
- 3/4 - 3 or 4 wire *

Length of arm

- 96 = 8' arm
- 120 = 10' arm
- 144 = 12' arm

Eye Bolt options

- EB = Double Eye Bolts
- SB = Single Eye Bolts
- NB = No Eye Bolts

Inserts

- Blank - none
- IP - Pin Holes w/ Inserts

Pole Gain Options

- FG = Fabricated gain w/ 2GA
- AG = Aluminum Fabricated gain w/ 2GA

** 10" spacing must be specified & comes with 1GA

* - 3 & 3/4 arms with center phase hardware used in single-sided applications are limited to an 85% ultimate load



FIBERGLASS DEAD-END ARMS

ALUMA-FORM®

FDA20 Series

2-wire & 4-wire

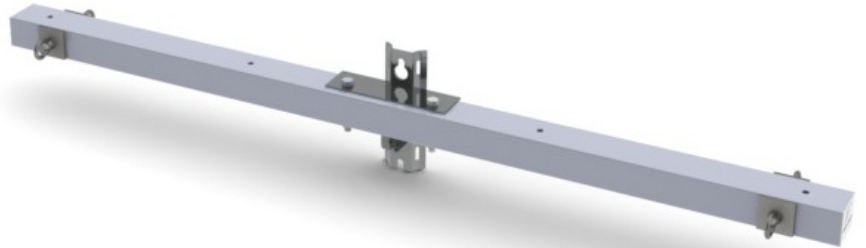
Material Specifications

Pole Gain

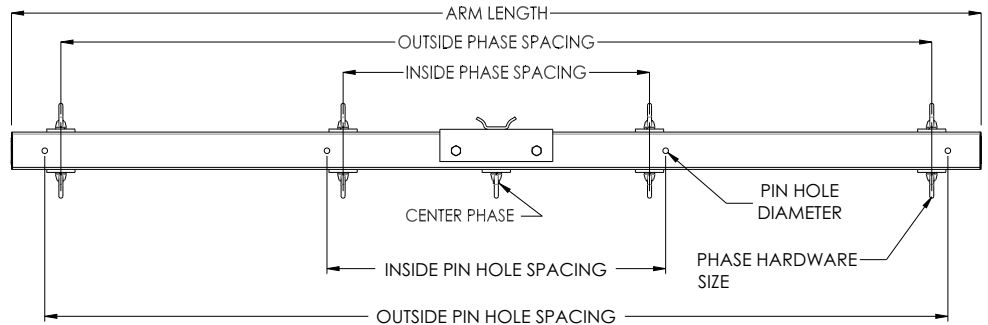
- 65-45-12 Ductile Iron, hot-dipped galvanized per ASTM A153 (12" mounting centers)
- 2 guy attachment positions - rated at 30,000# per hole
- Accepts 3/4" pole mounting hardware
- Can be banded using the Aluma-Form Bolt-A-Band™ banding system

Fiberglass Tube

- 3-5/8" X 4-5/8" Super-Smooth™, proprietary veiled gray polyester tube with added ultraviolet protection



FDA20-2-96-EB-FG (Shown above)



Aluma-Form Catalog Name	Balanced Horizontal Load Capacity	Length	Pin Hole Information			Phase Information				Deflection per 1000 lbs	Weight
			Pin Hole Diameter	Inside Spacing	Outside Spacing	# of Phases	Phase Hardware Size	Inside Phase Spacing	Outside Phase Spacing		
FDA20-2-60-EB-FG	9000	60	11/16	34	52	2	5/8"	-	48	0.18	44
FDA20-2-96-EB-FG	8000	96	11/16	34	88	2	5/8"	-	84	0.47	55.5
FDA20-4-96-EB-FG **		96	11/16	34	88	4	5/8"	30	84	0.85	61
FDA20-2-120-EB-FG	6500	120	11/16	42	112	2	5/8"	-	108	0.95	63.2
FDA20-4-120-EB-FG **		120	11/16	42	112	4	5/8"	38	108	1.58	68.7

** Contact factory for loading information

Notes:

1. Custom drilling available, contact factory or local sales representative.
2. Standard hardware includes 5/8" Eye Nuts, bolts, & lock washers.
3. Use a "-AG" option for aluminum pole gain
4. For eye bolts on one side of arm change "EB" to "SB"



FIBERGLASS DEAD-END ARMS

ALUMA-FORM[®] FDA25 Series

2-wire, 4-wire

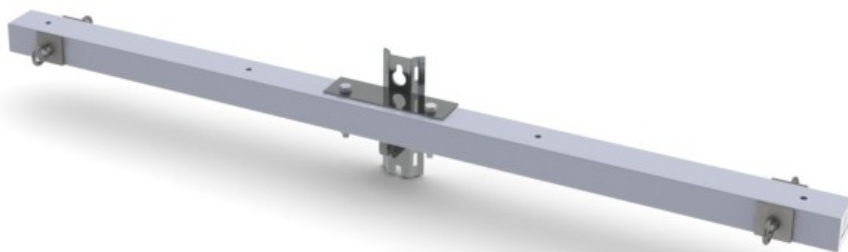
Material Specifications

Pole Gain

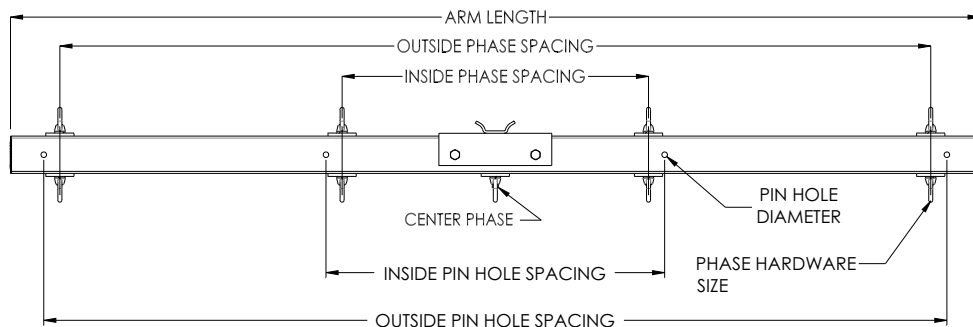
- 65-45-12 Ductile Iron, hot-dipped galvanized per ASTM A153 (12" mounting centers)
- 2 guy attachment positions - rated at 30,000# per hole
- Accepts 3/4" pole mounting hardware
- Can be banded using the Aluma-Form Bolt-A-Band[™] banding system

Fiberglass Tube

- 3-5/8" X 4-5/8" Super-Smooth[™], proprietary veiled gray polyester tube with added ultraviolet protection



FDA25-2-96-EB-FG (Shown above)



Aluma-Form Catalog Name	Balanced Horizontal Load Capacity	Length	Pin Hole Information			Phase Information				Deflection per 1000 lbs	Weight
			Pin Hole Diameter	Inside Spacing	Outside Spacing	# of Phases	Phase Hardware Size	Inside Phase Spacing	Outside Phase Spacing		
FDA25-2-60-EB-FG	10000	60	11/16	34	52	2	5/8"	-	48	0.18	44
FDA25-2-96-EB-FG	10000	96	11/16	34	88	2	5/8"	-	84	0.38	55.5
FDA25-4-96-EB-FG **		96	11/16	34	88	4	5/8"	30	84	0.62	61
FDA25-2-120-EB-FG	7500	120	11/16	42	112	2	5/8"	-	108	0.71	63.2
FDA25-4-120-EB-FG **		120	11/16	42	112	4	5/8"	38	108	0.98	68.7
FDA25-2-144-EB-FG	6000	144	11/16	-	136	2	5/8"	-	132	1.25	71
FDA25-4-144-EB-FG **		144	11/16	60	136	4	5/8"	68	132	1.76	79.4

** Contact factory for loading information

Notes:

1. Custom drilling available, contact factory or local sales representative.
2. Standard hardware includes 5/8" Eye Nuts, bolts, & lock washers.
3. Use a "-AG" option for aluminum pole gain
4. For eye bolts on one side of arm change "EB" to "SB"



FIBERGLASS DEAD-END ARMS

ALUMA-FORM[®] FDA30 Series

2-wire, 4-wire

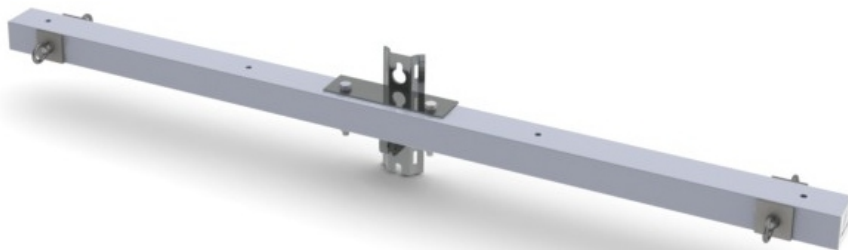
Material Specifications

Pole Gain

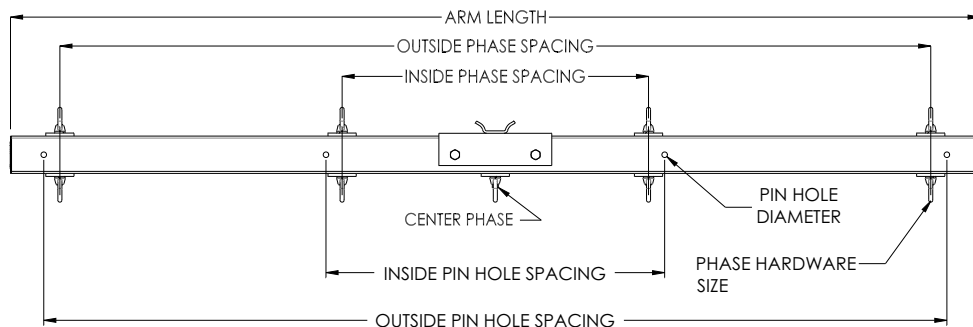
- 65-45-12 Ductile Iron, hot-dipped galvanized per ASTM A153 (12" mounting centers)
- 2 guy attachment positions - rated at 30,000# per hole
- Accepts 3/4" pole mounting hardware
- Can be banded using the Aluma-Form Bolt-A-Band[™] banding system

Fiberglass Tube

- 3-5/8" X 4-5/8" Super-Smooth[™], proprietary veiled gray polyester tube with added ultraviolet protection



FDA30-2-96-EB-FG (Shown above)



Aluma-Form Catalog Name	Balanced Horizontal Load Capacity	Length	Pin Hole Information			Phase Information				Deflection per 1000 lbs	Weight
			Pin Hole Diameter	Inside Spacing	Outside Spacing	# of Phases	Phase Hardware Size	Inside Phase Spacing	Outside Phase Spacing		
FDA30-2-60-EB-FG	14700	60	13/16	34	52	2	3/4"	-	48	0.13	45.4
FDA30-2-96-EB-FG	14700	96	13/16	34	88	2	3/4"	-	84	0.33	56.9
FDA30-4-96-EB-FG **		96	13/16	34	88	4	3/4"	30	84	0.54	62
FDA30-2-120-EB-FG	13000	120	13/16	42	112	2	3/4"	-	108	0.61	64.6
FDA30-4-120-EB-FG **		120	13/16	42	112	4	3/4"	38	108	0.89	69.7
FDA30-2-144-EB-FG	10000	144	13/16	-	136	2	3/4"	-	132	1.07	72.3
FDA30-4-144-EB-FG **		144	13/16	60	136	4	3/4"	68	132	1.45	77.4

** Contact factory for loading information

Notes:

1. Custom drilling available, contact factory or local sales representative.
2. Standard hardware includes 3/4" Eye Nuts, bolts, & lock washers.
3. For eye bolts on one side of arm change "EB" to "SB"
4. Use "-AG" for aluminum gain



FIBERGLASS DEAD-END ARMS

ALUMA-FORM[®] FDA40 Series

2-wire, 4-wire

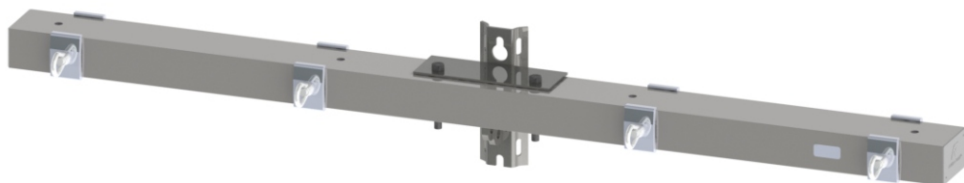
Material Specifications

Pole Gain

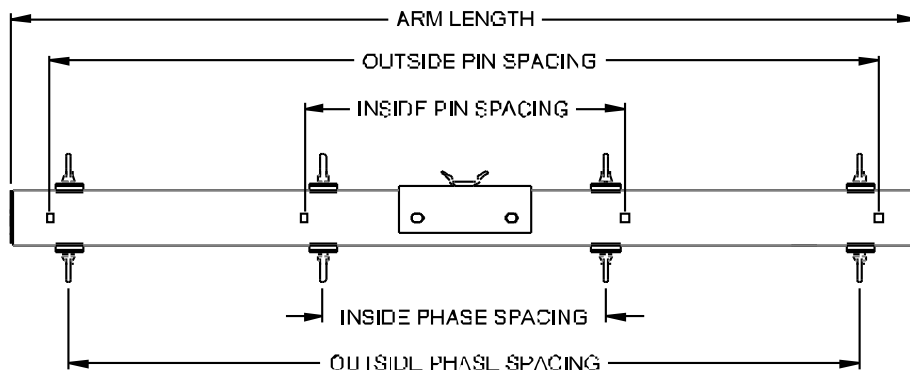
- 65-45-12 Ductile Iron, hot-dipped galvanized per ASTM A153 (12" mounting centers)
- 2 guy attachment positions - rated at 30,000# per hole
- Accepts 3/4" pole mounting hardware
- Can be banded using the Aluma-Form Bolt-A-Band[™] banding system

Fiberglass Tube

- 4" X 6" proprietary veiled gray polyester tube with added ultraviolet protection



FDA40-4-120-EB-FG (Shown above)



Aluma-Form Catalog Name	Balanced Horizontal Load Capacity	Length	Pin Hole Information			Phase Information				Deflection per 1000 lbs	Weight
			Pin Hole Diameter	Inside Spacing	Outside Spacing	# of Phases	Phase Hardware Size	Inside Phase Spacing	Outside Phase Spacing		
FDA40-2-96-EB-FG	13000	96	13/16	34	88	2	3/4"	-	84	0.22	54.5
FDA40-4-96-EB-FG **		96	13/16	34	88	4	3/4"	30	84		60
FDA40-2-120-EB-FG	13000	120	13/16	42	112	2	3/4"	-	108	0.48	65.2
FDA40-4-120-EB-FG **		120	13/16	42	112	4	3/4"	38	108		70
FDA40-2-144-EB-FG	13000	144	13/16	60	136	2	3/4"	-	132	0.88	76.5
FDA40-4-144-EB-FG **		144	13/16	60	136	4	3/4"	68	132		81.7

** Contact factory for loading information

Notes:

1. Custom drilling available, contact factory or local sales representative.
2. For eye bolts on one side of arm change "EB" to "SB"



FIBERGLASS DEAD-END ARMS

ALUMA-FORM[®] FDA40X Series

2-wire, 4-wire

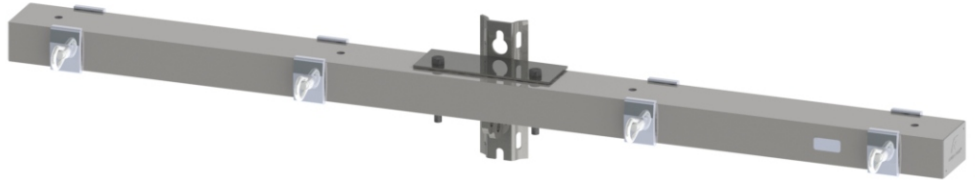
Material Specifications

Pole Gain

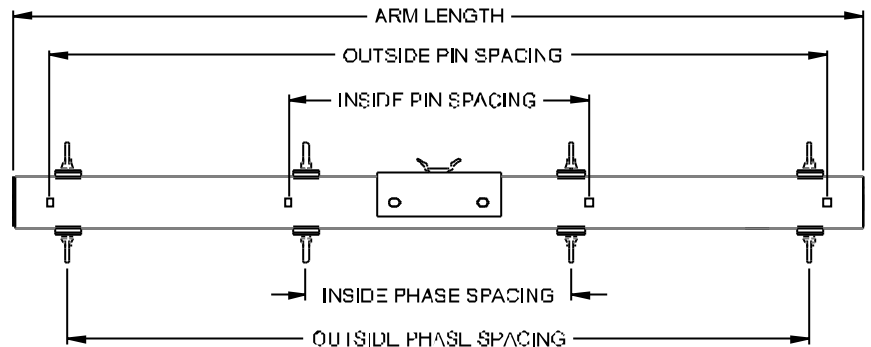
- 65-45-12 Ductile Iron, hot-dipped galvanized per ASTM A153 (12" mounting centers)
- 2 guy attachment positions - rated at 30,000# per hole
- Accepts 3/4" pole mounting hardware
- Can be banded using the Aluma-Form Bolt-A-Band™ banding system

Fiberglass Tube

- 4" X 6" proprietary veiled gray polyester tube with added ultraviolet protection



FDA40X-4-120-EB-FG (Shown above)



Aluma-Form Catalog Name	Balanced Horizontal Load Capacity	Length	Pin Hole Information			Phase Information				Deflection per 1000 lbs	Weight
			Pin Hole Diameter	Inside Spacing	Outside Spacing	# of Phases	Phase Hardware Size	Inside Phase Spacing	Outside Phase Spacing		
FDA40X-2-96-EB-FG	17000	96	13/16	34	88	2	3/4"	-	84	0.14	69.5
FDA40X-4-96-EB-FG **		96	13/16	34	88	4	3/4"	30	84	-	75.2
FDA40X-2-120-EB-FG	17000	120	13/16	42	112	2	3/4"	-	108	0.27	84.5
FDA40X-4-120-EB-FG **		120	13/16	42	112	4	3/4"	38	108	-	90
FDA40X-2-144-EB-FG	17000	144	13/16	60	136	2	3/4"	-	132	0.55	99.3
FDA40X-4-144-EB-FG **		144	13/16	60	136	4	3/4"	68	132	-	105

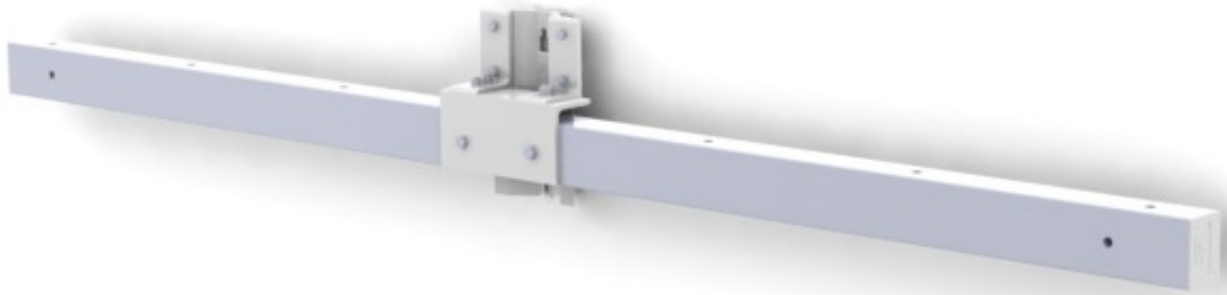
** Contact factory for loading information

Notes:

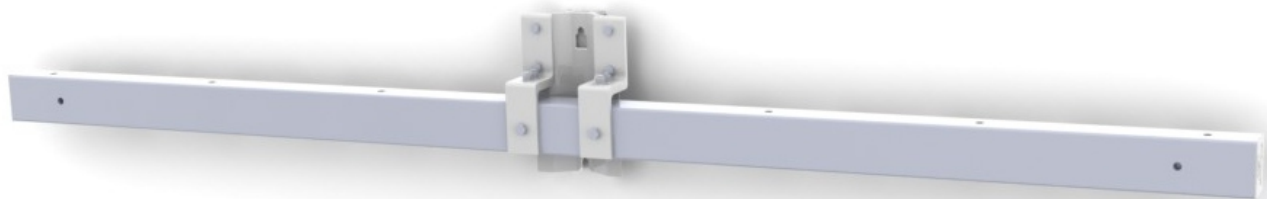
1. Custom drilling available, contact factory or local sales representative.
2. For eye bolts on one side of arm change "EB" to "SB"



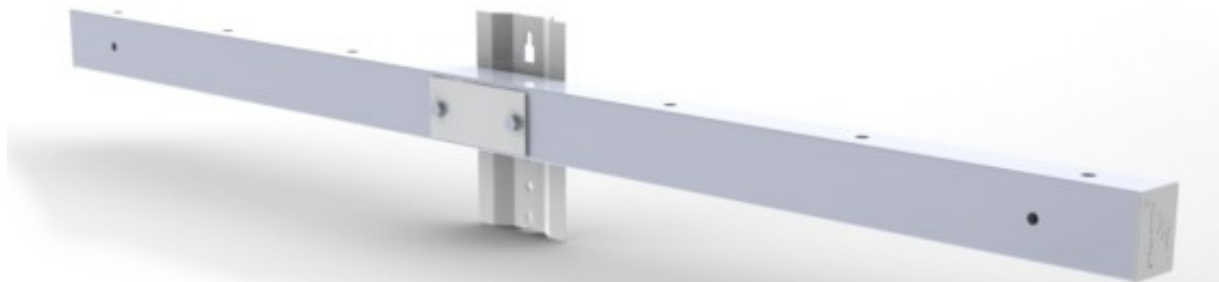
FIBERGLASS TANGENT ARMS



FTA30 SERIES



FTA20 & FTA25 SERIES



FTA18 SERIES



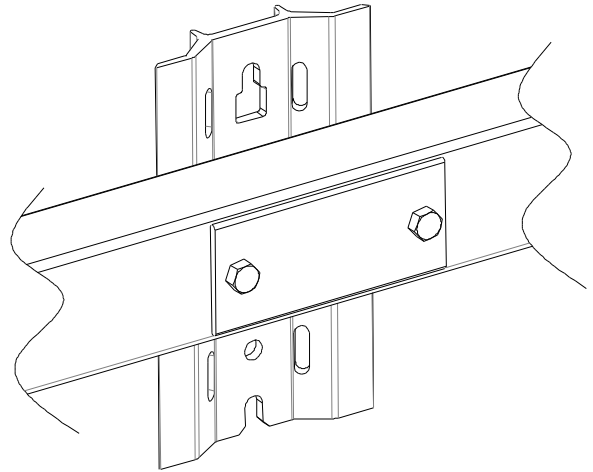
ALUMA-FORM®

FIBERGLASS TANGENT ARM POLE GAINS

FTA18 POLE GAIN

Pole Gain

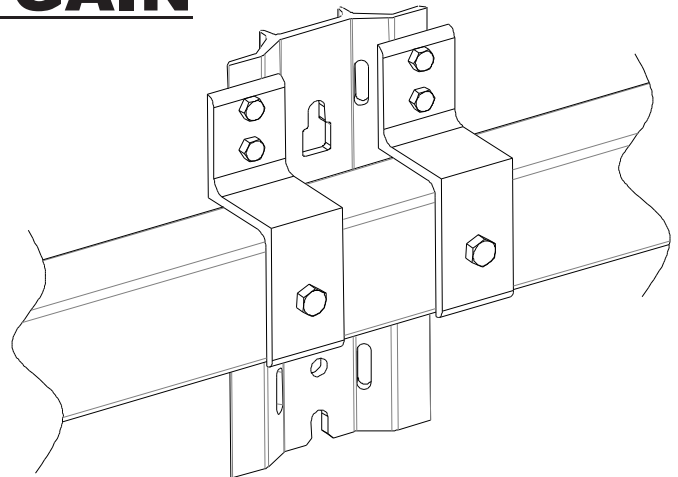
- 6061-T6 Aluminum Pole Gain with 8", 10", & 12" mounting centers
- Accepts 5/8" pole mounting hardware
- Can be banded using the Aluma-Form Bolt-A-Band™ banding system



FTA20 & FTA25 POLE GAIN

Pole Gain

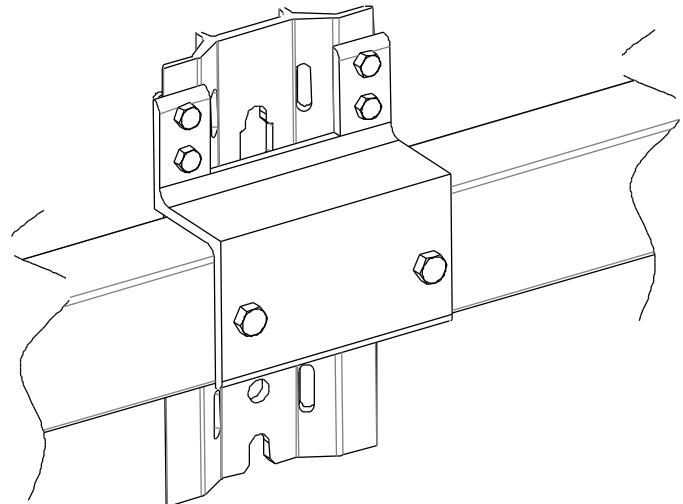
- 6061-T6 Aluminum Pole Gain with 8", 10", & 12" mounting centers
- Accepts 5/8" pole mounting hardware
- Can be banded using the Aluma-Form Bolt-A-Band™ banding system



FTA30 POLE GAIN

Pole Gain

- 6061-T6 Aluminum Pole Gain with 8", 10", & 12" mounting centers
- Accepts 5/8" pole mounting hardware
- Can be banded using the Aluma-Form Bolt-A-Band™ banding system





FIBERGLASS TANGENT ARMS

ALUMA-FORM®

FTA - 25 B - 2 - 120 - A IP

Fiberglass Tangent Arm

Strength Class

- 18 - Light Duty
- 20L - Intermediate Duty
- 20 - Standard Duty
- 25 - Heavy Duty
- 30 - Extra Heavy Duty

Color

- Blank - Gray
- B - Brown

Number of Insulator Pin Locations

- 2 - 2 Pin Locations
- 4 - 4 Pin Locations
- 6 - 6 Pin Locations

Length of arm

- 96 = 8' arm
- 120 = 10' arm
- 144 = 12' arm

Construction Type

- A = Braceless Construction
- B = Braced Construction

Inserts

- Blank - none
- IP - Open Holes w/ Inserts



FIBERGLASS TANGENT ARMS

ALUMA-FORM®

FTA18 Series

Material Specifications

Pole Gain

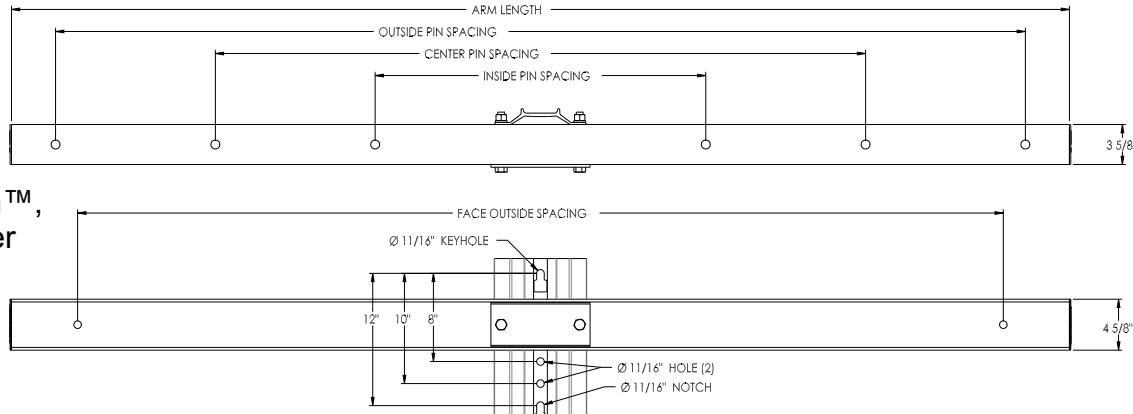
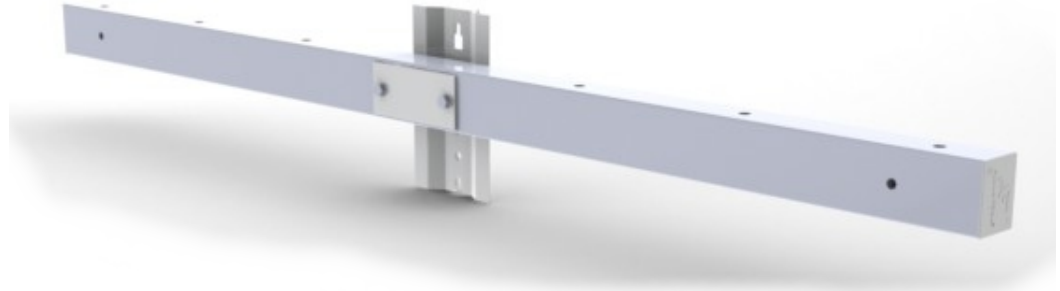
- 6061-T6 Aluminum Pole Gain with 8", 10", & 12" mounting centers

- Accepts 5/8" mounting hardware

- Can be banded using the Aluma-Form Bolt-A-Band™ banding system

Fiberglass Tube

- 3-5/8" X 4-5/8" Super-Smooth™, proprietary veiled gray polyester tube with added ultraviolet protection



Catalog Name	Balanced Vertical Load per side	Length	Face Hole Diameter	Face Hole Spacing	Insulator Pin Positions	Phase hole diameter (Top)	Inside	Center	Outside	Deflection per 1000 lbs	Weight
FTA18-4-60-A	3650	60	11/16"	48	4	11/16"	23	-	52	0.3	22
FTA18-4-96-A	3650	96	11/16"	84	4	11/16"	30	-	88	0.59	33
FTA18-6-96-A	3650	96	11/16"	84	6	11/16"	30	59	88	0.59	33
FTA18-6-120-A	3000	120	11/16"	108	6	11/16"	38	75	112	0.59	50

Notes:

1. Custom drilling available, contact factory or local sales representative.



FIBERGLASS TANGENT ARMS

ALUMA-FORM®

FTA20L & FTA20 Series

Material Specifications

Pole Gain

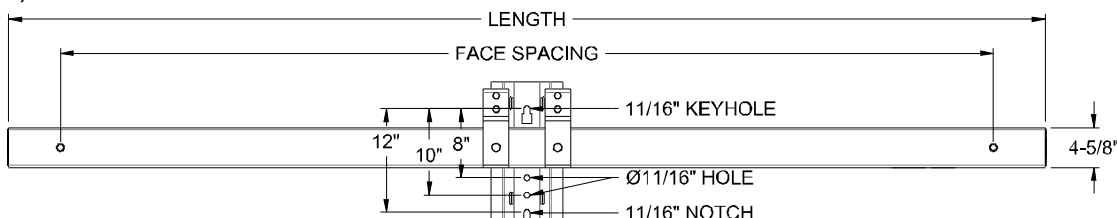
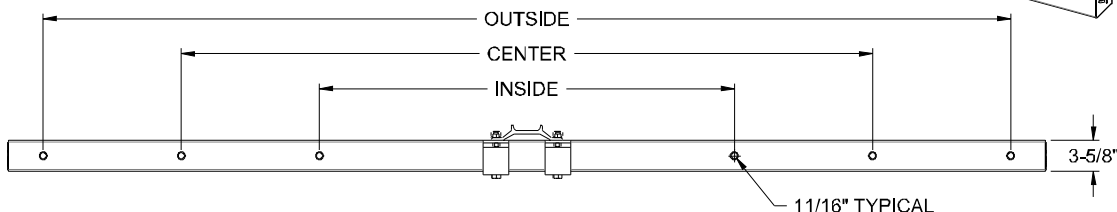
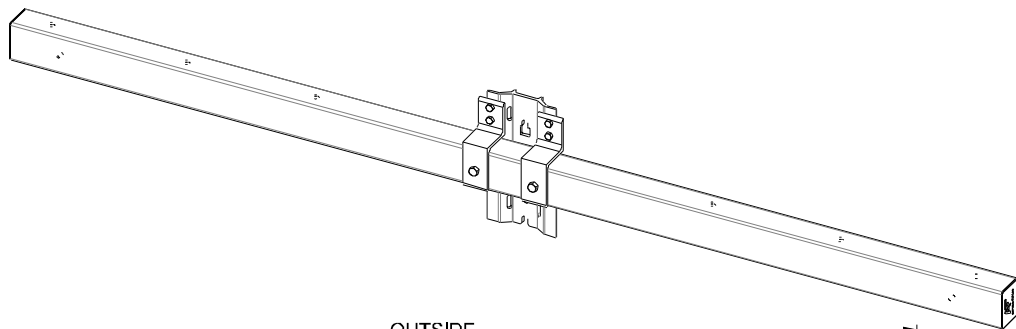
- 6061-T6 Aluminum Pole Gain with 8", 10", & 12" mounting centers

- Accepts 5/8" mounting hardware

- Can be banded using the Aluma-Form Bolt-A-Band™ banding system

Fiberglass Tube

- 3-5/8" X 4-5/8" Super-Smooth™, proprietary veiled gray polyester tube with added ultraviolet protection



Catalog Name	Balanced Vertical Load per side	Length	Face Hole Diameter	Face Hole Spacing	Insulator Pin Positions	Phase hole diameter (Top)	Inside	Center	Outside	Deflection per 1000 lbs	Weight
FTA20L-4-60-A	6200	60	11/16"	48	4	11/16"	23	-	52	0.3	25.7
FTA20L-4-96-A	6100	96	11/16"	84	4	11/16"	30	-	88	0.59	37.2
FTA20L-6-96-A	6100	96	11/16"	84	6	11/16"	30	59	88	0.59	37.2
FTA20L-6-120-A	5000	120	11/16"	108	6	11/16"	38	75	112	1.13	52.7
FTA20L-4-144-A	3800	144	11/16"	132	4	11/16"	76	-	136	2.21	68.2
FTA20-4-60-A	6500	60	11/16"	48	4	11/16"	23	-	52	0.24	25.8
FTA20-4-96-A	6400	96	11/16"	84	4	11/16"	30	-	88	0.43	37.3
FTA20-6-96-A	6400	96	11/16"	84	6	11/16"	30	59	88	0.43	37.3
FTA20-6-120-A	5400	120	11/16"	108	6	11/16"	38	75	112	0.77	52.7
FTA20-4-144-A	4200	144	11/16"	132	4	11/16"	76	-	136	1.2	68.3

Notes:

1. Custom drilling available, contact factory or local sales representative.



FIBERGLASS TANGENT ARMS

ALUMA-FORM®

FTA25 Series

Material Specifications

Pole Gain

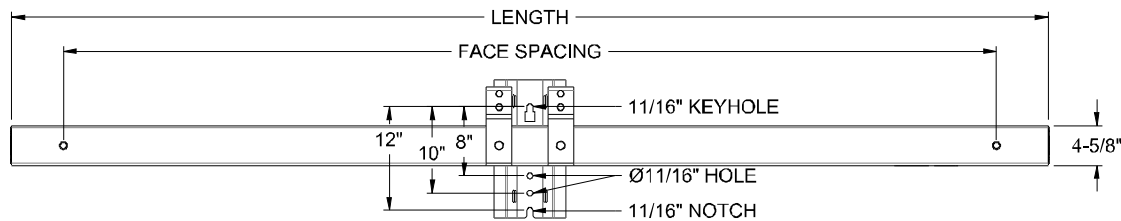
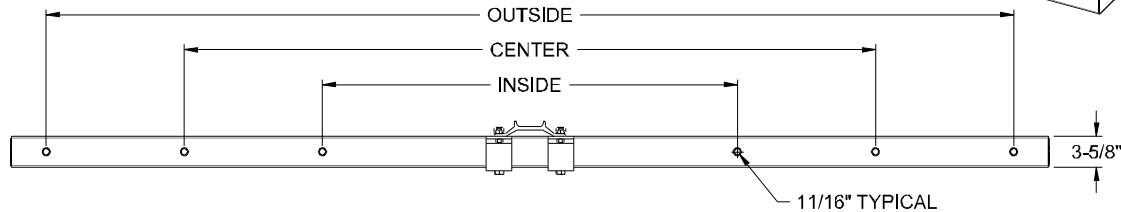
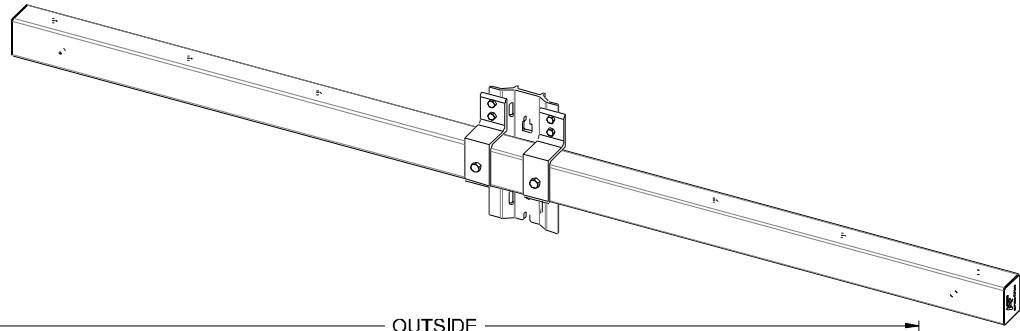
- 6061-T6 Aluminum Pole Gain with 12" mounting centers

- Accepts 5/8" pole mounting hardware

- Can be banded using the Aluma-Form Bolt-A-Band™ banding system

Fiberglass Tube

- 3-5/8" X 4-5/8" Super-Smooth™, proprietary veiled gray polyester tube with added ultraviolet protection



Catalog Name	Balanced Vertical Load per side	Length	Face Hole Diameter	Face Hole Spacing	Insulator Pin Positions	Phase hole diameter (Top)	Inside	Center	Outside	Deflection per 1000 lbs	Weight
FTA25-4-60-A	7500	60	11/16"	48	4	11/16"	23	-	52	0.19	30.3
FTA25-4-96-A	7500	96	11/16"	84	4	11/16"	30	-	88	0.55	41.8
FTA25-6-96-A	7500	96	11/16"	84	6	11/16"	30	59	88	0.55	41.8
FTA25-6-120-A	6000	120	11/16"	108	6	11/16"	38	75	112	1.06	49.5
FTA25-4-144-A	4800	144	11/16"	136	4	11/16"	76	-	132	1.33	57.1

Notes:

1. Custom drilling available, contact factory or local sales representative.



FIBERGLASS TANGENT ARMS

ALUMA-FORM®

FTA30 Series

Material Specifications

Pole Gain

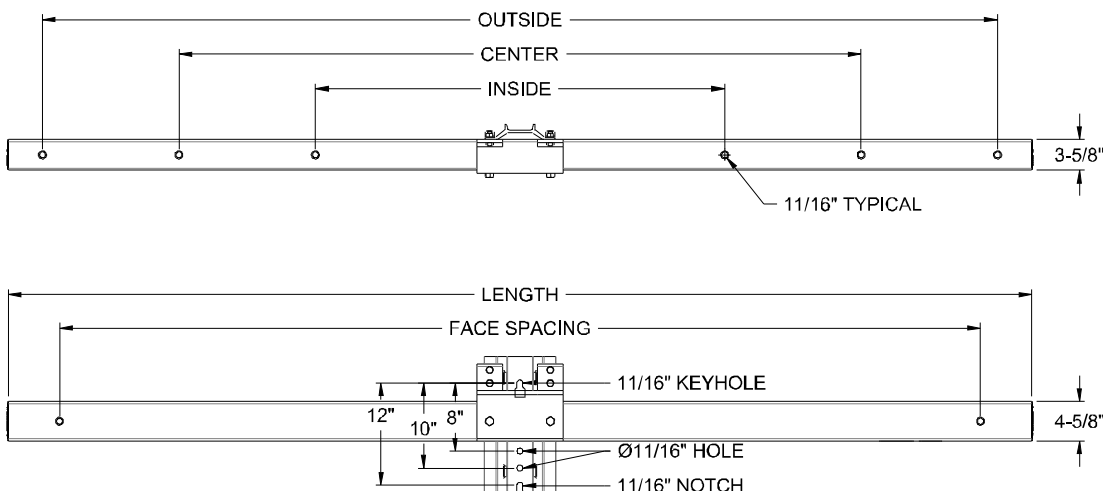
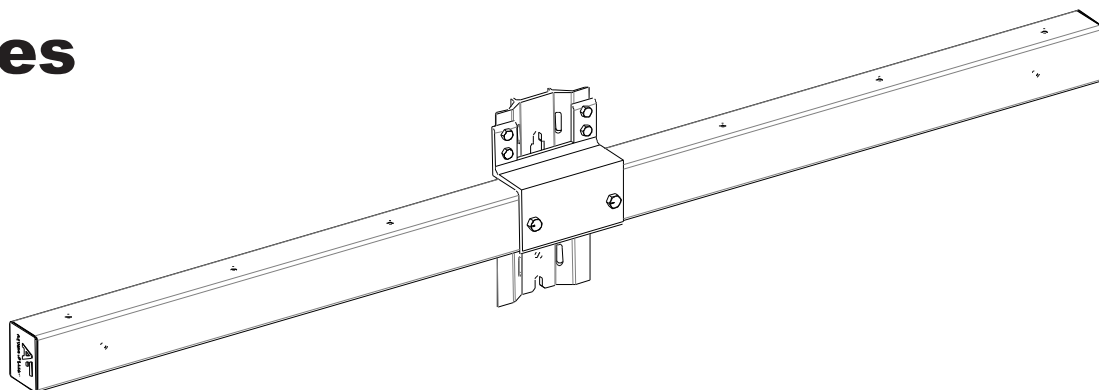
- 6061-T6 Aluminum Pole Gain with 12" mounting centers

- Accepts 3/4" pole mounting hardware

- Can be banded using the Aluma-Form Bolt-A-Band™ banding system

Fiberglass Tube

- 3-5/8" X 4-5/8" Super-Smooth™, proprietary veiled gray polyester tube with added ultraviolet protection



Catalog Name	Balanced Vertical Load per side	Length	Face Hole Diameter	Face Hole Spacing	Insulator Pin Positions	Phase hole diameter (Top)	Inside	Center	Outside	Deflection per 1000 lbs	Weight
FTA30-4-60-A	10000	60	11/16"	48	4	11/16"	23		52	0.15	32.4
FTA30-4-96-A	10000	96	13/16"	84	4	13/16"	30		88	0.39	44
FTA30-6-96-A	10000	96	13/16"	84	6	13/16"	30	59	88	0.39	44
FTA30-6-120-A	9400	120	13/16"	108	6	13/16"	38	75	112	0.71	51.7
FTA30-4-144-A	8000	144	13/16"	136	4	13/16"	76		132	1.23	59.4

Notes:

1. Custom drilling available, contact factory or local sales representative.