



# FIBERGLASS DOWN LEAD GUIDES

ALUMA-FORM®

## DOWN LEAD GUIDES

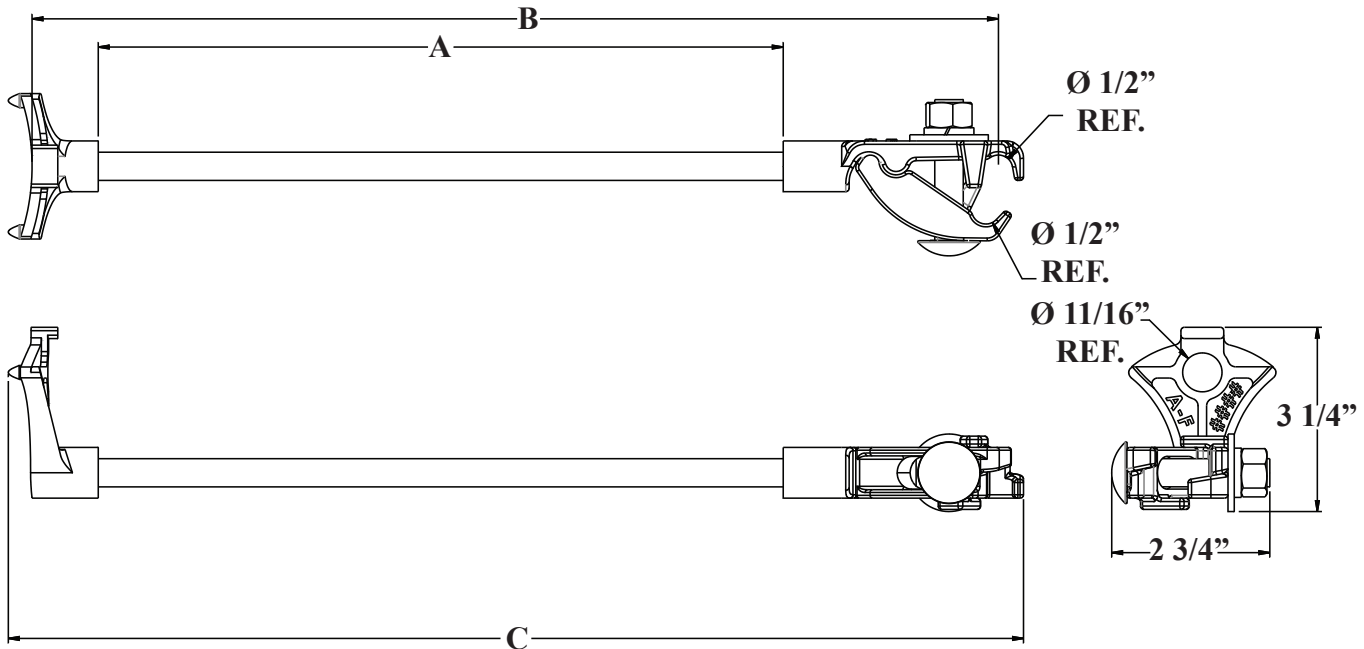
### Material Specification

#### Fittings:

- 65-45-12 Ductile Iron, hot-dipped galvanized per ASTM A153
- Accepts 5/8" pole mounting hardware
- Can be banded using the Aluma-Form Bolt-A-Band™ banding system

#### Fiberglass Rod

- Super-Smooth™, proprietary veiled gray polyester rod with added ultraviolet protection.



#### Notes:

1. Custom lengths available, contact factory or local sales representative.

Down Lead Guides					
Catalog Number	"A"	"B"	"C"	Wire Range	Weight (lbs)
FLDS-12	12	16-15/16"	17-13/16"	.125 - .502	1.4
FLDS-18	18	22-15/16"	23-13/16"	.125 - .502	1.5
FLDS-24	24	28-15/16"	29-13/16"	.125 - .502	1.6



ALUMA-FORM®

3625 Old Getwell Rd. / Memphis, TN 38118 / P.O. Box 18555 / Memphis, TN 38181-0555 / Phone 901-362-0100 / Fax 901-794-9515

www.alumaform.com

©2020 Aluma-Form, Inc. 7/20