



ALUMA-FORM®

Hot Line Clamps

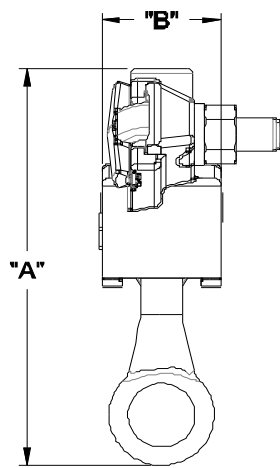
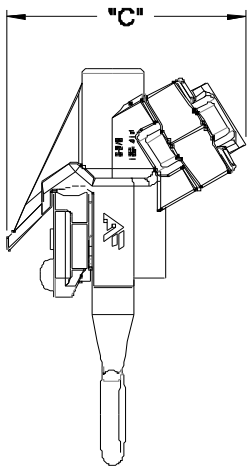
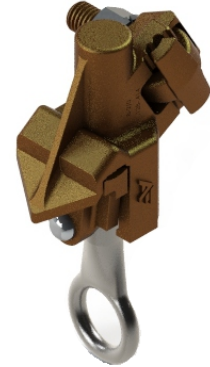
Line tools compatible for distribution tap connections

Key Features

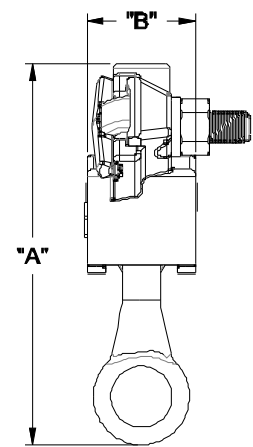
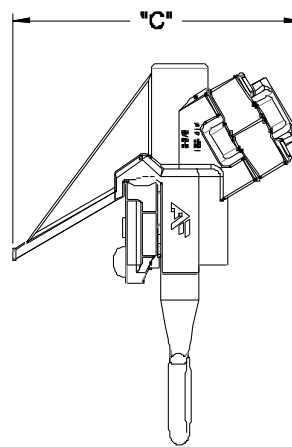
- Tested per ANSI C119.4
- Extended jaw for greater conductor contact.
- Castings offer high strength, and corrosion resistance.

Key Materials

- Body and Keeper: Bronze Alloy
- Eye-bolt: Bronze Alloy
- Eye-stem: Stainless Steel



STANDARD



"LD" STYLE

| Catalog Name | Description | Conductor Range | | Dimensions Information | | | Box QTY |
|--------------|--|--|--|------------------------|--------|----------|---------|
| | | Main | Tap | A | B | C | |
| AF-BC20 | Bronze Hot Line Clamp #8-2/0 | #8 Solid - 2/0 Stranded .125" - .414" | #8 Solid - 2/0 Stranded .125" - .414" | 4-5/16" | 1-1/4" | 2-1/2" | 25 |
| AF-BC20-XB | Bronze Hot Line Clamp #8-2/0 - Oxide Inhibitor | #8 Solid - 2/0 Stranded .125" - .414" | #8 Solid - 2/0 Stranded .125" - .414" | 4-5/16" | 1-1/4" | 2-1/2" | 25 |
| AF-BC20LD | Bronze Hot Line Clamp #8-2/0 - Long Duck Bill | #8 Solid - 2/0 Stranded .125" - .414" | #8 Solid - 2/0 Stranded .125" - .414" | 4-5/16" | 1-1/4" | 3-5/16" | 25 |
| AF-BC20-TP | Bronze Hot Line Clamp #8-2/0 - Tin Plated | #8 Solid - 2/0 Stranded .125" - .414" | #8 Solid - 2/0 Stranded .125" - .414" | 4-5/16" | 1-1/4" | 2-1/2" | 25 |
| AF-1530 | Bronze Hot Line Clamp #6-400MCM | #6 Solid - 4/0 Stranded .162" - .547" | #6 Solid - 4/0 Stranded .162" - .547" | 7-1/4" | 1-1/4" | 2-13/16" | 25 |
| AF-1530TP | Bronze Hot Line Clamp #6-400MCM - Tin Plated | #6 Solid - 4/0 Stranded .162" - .547" | #6 Solid - 4/0 Stranded .162" - .547" | 7-1/4" | 1-1/4" | 2-13/16" | 25 |
| AF-1540 | Bronze Hot Line Clamp 4/0-800 | #4/0 - 800 MCM .502" - 1.031" | #4 - 350 | 6-5/8" | 4-7/8" | 2-13/16" | 25 |
| AF-1540TP | Bronze Hot Line Clamp 4/0-800 - Tin Plated | #4/0 - 800 MCM .502" - 1.031" | #4 - 350 | 6-5/8" | 4-7/8" | 2-13/16" | 25 |



ALUMA-FORM®

Hot Line Clamps

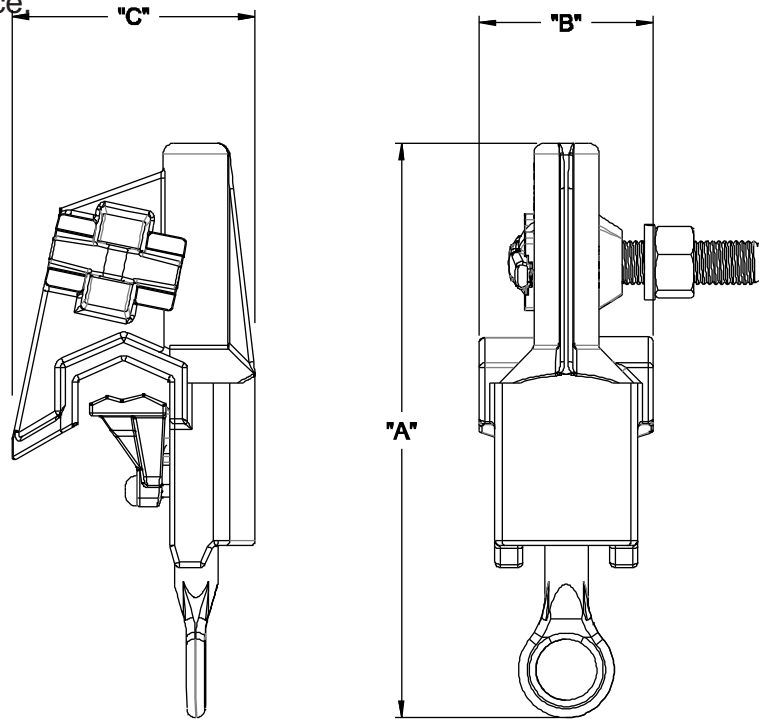
Line tools compatible for distribution tap connections

Key Features

- Tested per ANSI C119.4
- Extended jaw for greater conductor contact.
- Castings offer high strength, and corrosion resistance.

Key Materials

- Body and Keeper: Tin Plated Aluminum Alloy
- Eye-bolt: Tin Plated Bronze Alloy
- Eye-stem: Stainless Steel



| Catalog Name | Description | Conductor Range | | Dimensions Information | | | Box QTY |
|---------------|---|--|--|------------------------|--------|----------|---------|
| | | Main | Tap | A | B | C | |
| AF-1520AGP | Aluminum Hot Line Clamp #8-2/0 | #8 Solid - 2/0 Stranded .125" - .414" | #8 Solid - 2/0 Stranded .125" - .414" | 4-5/16" | 1-1/4" | 2-1/2" | 25 |
| AF-1520AGP-XB | Aluminum Hot Line Clamp #8-2/0 - Oxide Inhibitor | #8 Solid - 2/0 Stranded .125" - .414" | #8 Solid - 2/0 Stranded .125" - .414" | 4-5/16" | 1-1/4" | 2-1/2" | 25 |
| AF-1530AGP | Aluminum Hot Line Clamp #6-400MCM | #6 Solid - 397.5 .162" - .745" | #6 Solid - 3/0 Stranded .162" - .547" | 6-3/16" | 1-3/4" | 2-1/2" | 25 |
| AF-1530AGP-XB | Aluminum Hot Line Clamp #6-400MCM - Oxide Inhibitor | #6 Solid - 397.5 .162" - .745" | #6 Solid - 3/0 Stranded .162" - .547" | 6-3/16" | 1-3/4" | 2-1/2" | 25 |
| AF-1534AGP | Aluminum Hot Line Clamp #6-400MCM - Heavy Hex Nut | #6 Solid - 397.5 .162" - .745" | #6 Solid - 3/0 Stranded .162" - .547" | 6-3/16" | 1-3/4" | 2-1/2" | 25 |
| AF-1534AGP-XB | Aluminum Hot Line Clamp #6-400MCM - Heavy Hex Nut and Oxide Inhibitor | #6 Solid - 397.5 .162" - .745" | #6 Solid - 3/0 Stranded .162" - .547" | 6-3/16" | 1-3/4" | 2-1/2" | 25 |
| AF-1540AGP | Aluminum Hot Line Clamp 4/0-800 | #4/0 - 800 MCM .502" - 1.031" | #8 Solid - 2/0 Stranded .198" - .703" | 6-5/8" | 2" | 2-13/16" | 25 |
| AF-1540AGP-XB | Aluminum Hot Line Clamp 4/0-800 - Oxide Inhibitor | #4/0 - 800 MCM .502" - 1.031" | #8 Solid - 2/0 Stranded .198" - .703" | 6-5/8" | 2" | 2-13/16" | 25 |