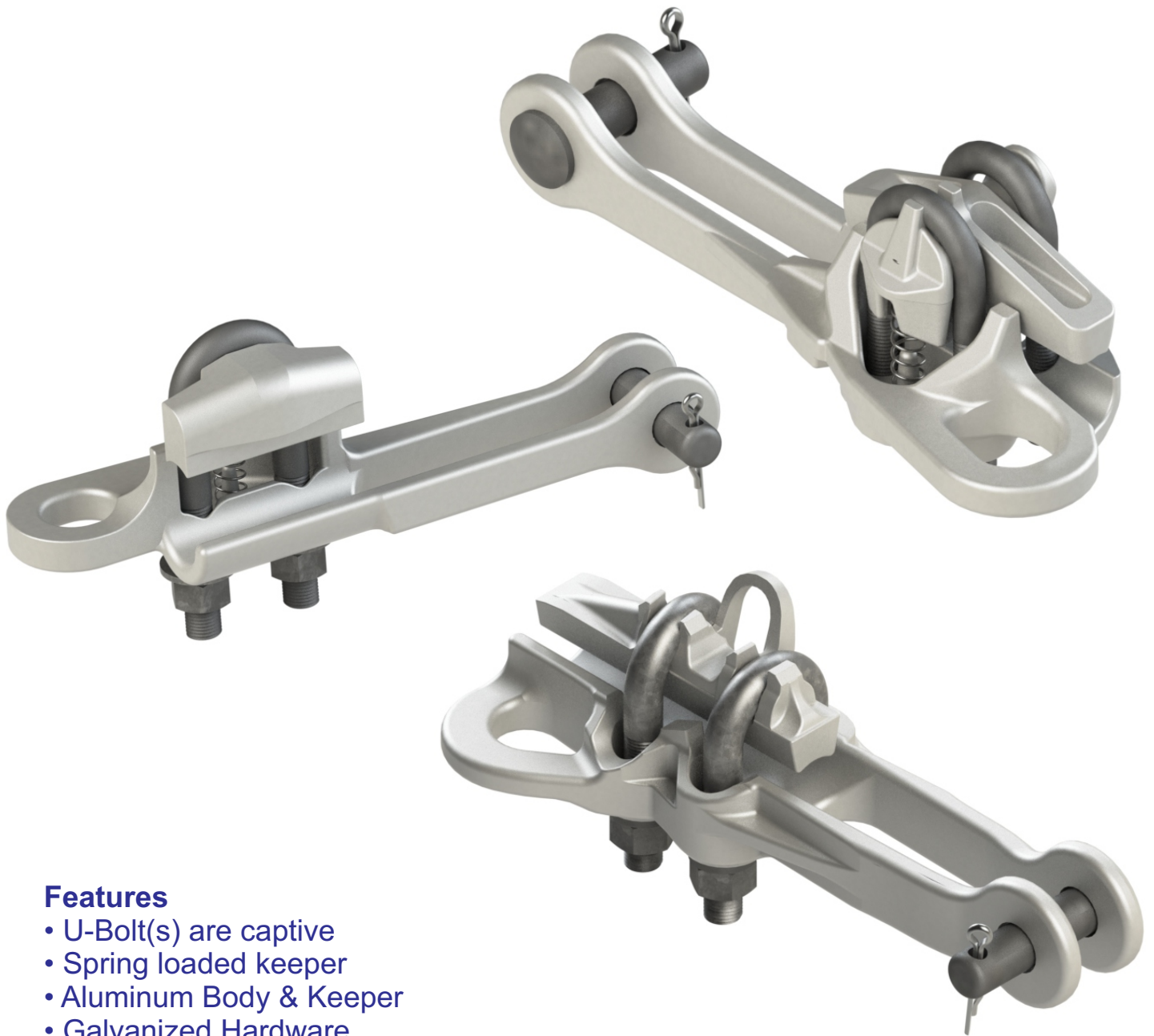




ALUMA-FORM®

# Dead End Clamps

The Aluma-Form DES clamp product line is for use in the distribution and light transmission construction. The DES clamps are designed to function with aluminum, ACSR or aluminum alloy conductors. These clamps have high holding power and large range taking ability.



## Features

- U-Bolt(s) are captive
- Spring loaded keeper
- Aluminum Body & Keeper
- Galvanized Hardware



ALUMA-FORM®

# Dead End Clamps

## **BOLTED, STRAIGHT LINE CLAMP - ALUMINUM** **Feed Through Style**



**Material(s):**

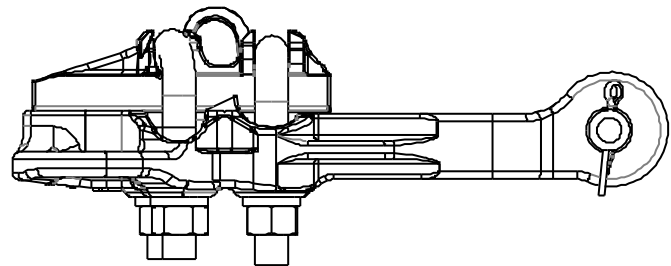
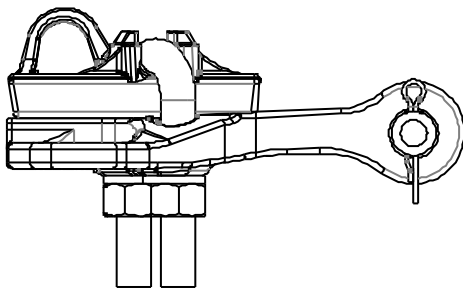
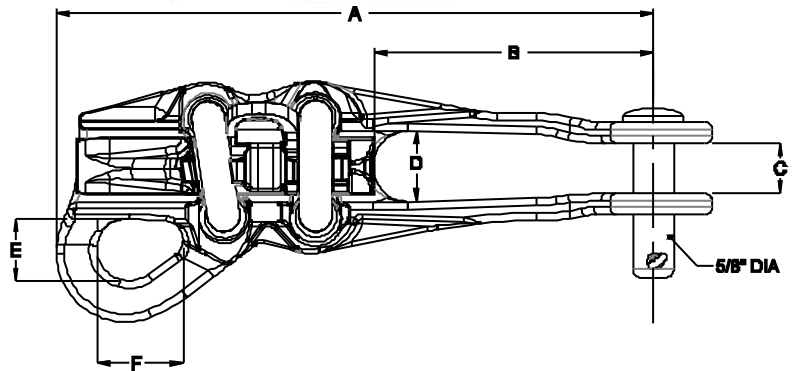
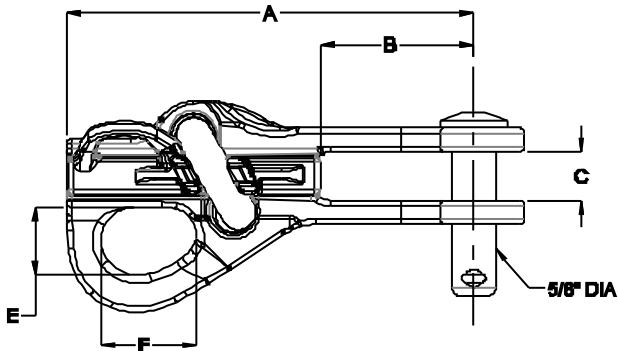
Body: 356-T6 Aluminum

Keeper: 356-T6 Aluminum

Hardware: U-Bolts, Washer, & Hex Nut - galvanized steel

5/8" Clevis Pin: Galvanized Steel

Cotter Pin: Stainless Steel



**DES-ASD-1**

**DES-ASD-45**

Catalog Name	Conductor Range			Ultimate Strength		WEIGHT (LBS)	DIM A	DIM B	DIM C	DIM D	DIM E	DIM F
	Inches	ACSR	Aluminum	Body (lbs)	Eye (lbs)							
DES-ASD-1-N	.150-.470	8 - 2/0	6 - 3/0	7000	6000	1.21	5.75	2.25	0.7	0.75	1	1.375
DES-ASD-1-N-M	.150-.470	8 - 2/0	6 - 3/0	7000	6000	2.49	5.75	2.25	0.7	0.75	1	1.375
DES-ASD-1-N-TP	.150-.470	8 - 2/0	6 - 3/0	7000	6000	1.21	5.75	2.25	0.7	0.75	1	1.375
DES-ASD-45-N	.520-.900	4/0 - 477	4/0 - 600	10000	10000	2.41	8.75	4.25	0.75	1	1.125	1.375
DES-ASD-45-N-TP	.520-.900	4/0 - 477	4/0 - 600	10000	10000	2.41	8.75	4.25	0.75	1	1.125	1.375

-TP is for Tin Plated

-M is for Marine Grade, 316 Stainless Steel



ALUMA-FORM®

# Dead End Clamps

## BOLTED, STRAIGHT LINE CLAMP - ALUMINUM

### Side Opening Style

**Material(s):**

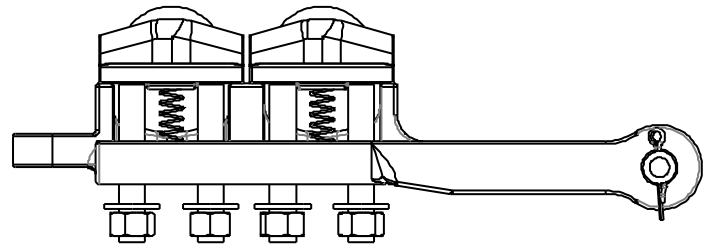
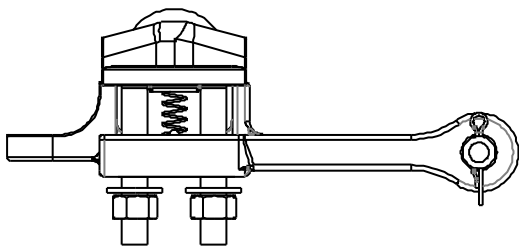
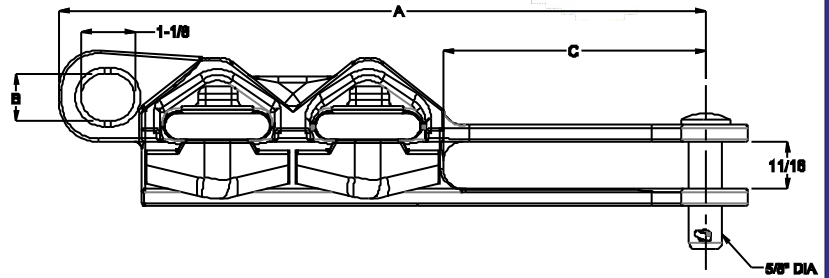
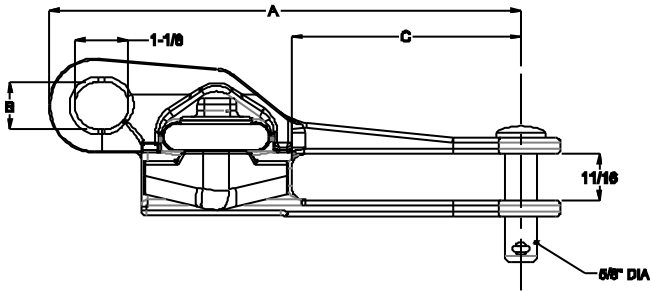
Body: 356-T6 Aluminum

Keeper: 356-T6 Aluminum

Hardware: U-Bolts, Washer, & Hex Nut - galvanized steel

5/8" Clevis Pin: Galvanized Steel

Cotter Pin: Stainless Steel



Catalog Name	Conductor Range			Ultimate Strength		Dimensions			Weight
	Inches	ACSR	Aluminum	Body (lbs)	Eye (lbs)	"A"	"B"	"C"	
DES-ASO-398-1-N	.198-.447	6-2/0	4-3/0	6000	6000	7.75	1	3.5	1.31
DES-ASO-398-1-N-TP	.198-.447	6-2/0	4-3/0	6000	6000	7.75	1	3.5	1.31
DES-ASO-570-1-N	.190-.570	6-4/0	6-4/0	8000	8000	9.75	1	5.13	1.68
DES-ASO-684-1-N	.250-684	4-336.4	2-350	8000	8000	9.13	1	4.25	1.72
DES-ASO-684-1-N-M	.250-684	4-336.4	2-350	8000	8000	9.13	1	4.25	3.29
DES-ASO-684-1-N-TP	.250-684	4-336.4	2-350	8000	8000	9.13	1	4.25	1.72
DES-ASO-684-2-N	.250-684	4-336.4	2-350	8000	8000	9.13	1	4.25	1.72
DES-ASO-858-1-N	.250-.888	4-556.5	2-556.5	12000	9000	13.5	1	5	4
DES-ASO-858-2-N	.250-.888	4-556.5	2-556.5	12000	9000	13.5	1	5	4
DES-ASO-858-2-N-TP	.250-.888	4-556.5	2-556.5	12000	9000	13.5	1	5	4

-TP is for Tin Plated

-M is for Marine Grade, 316 Stainless Steel



ALUMA-FORM®

# Dead End Clamps

## BOLTED, STRAIGHT LINE CLAMP - ALUMINUM

### Heavy Duty Side Opening Style

**Material(s):**

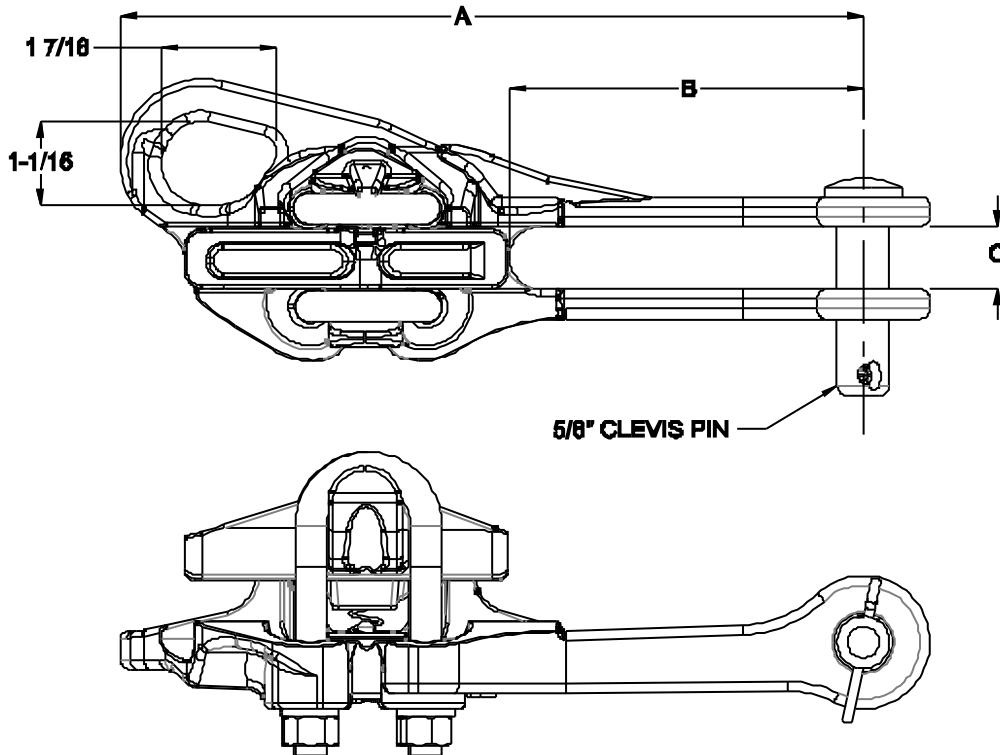
Body: 356-T6 Aluminum

Keeper: 356-T6 Aluminum

Hardware: U-Bolts, Washer, & Hex Nut - galvanized steel

5/8" Clevis Pin: Galvanized Steel

Cotter Pin: Stainless Steel



Catalog Name	Conductor Range			Ultimate Strength		Dimensions			Weight
	Inches	ACSR	Aluminum	Body (lbs)	Eye (lbs)	"A"	"B"	"C"	
DES-HDSO-47	.190-.470	8 - 2/0	4 - 3/0	7000	4000	8.5	4.25	0.75	1.57
DES-HDSO-47-TP	.190-.470	8 - 2/0	4 - 3/0	7000	4000	8.5	4.25	0.75	1.57
DES-HDSO-57	.250-570	4 - 4/0	2 - 4/0	8000	5000	8.88	4.25	0.75	1.78
DES-HDSO-57-TP	.250-570	4 - 4/0	2 - 4/0	8000	5000	8.88	4.25	0.75	1.78
DES-HDSO-82	.250-.820	2-477	1-477	9000	6000	10.5	4.88	0.88	3.08
DES-HDSO-88	.250-.880	4-556.5	2-556.5	10000	6000	10.938	4.84	1	3.35
DES-HDSO-88L-6	.250-.879	4-556.5	2-556.5	10000	6000	10.75	6	1	3.35
DES-HDSO-116	.250-.879	336.4-954	397.5-1000	12000	8000	14.437	7	1.256	3.82

--TP is for Tin Plated