



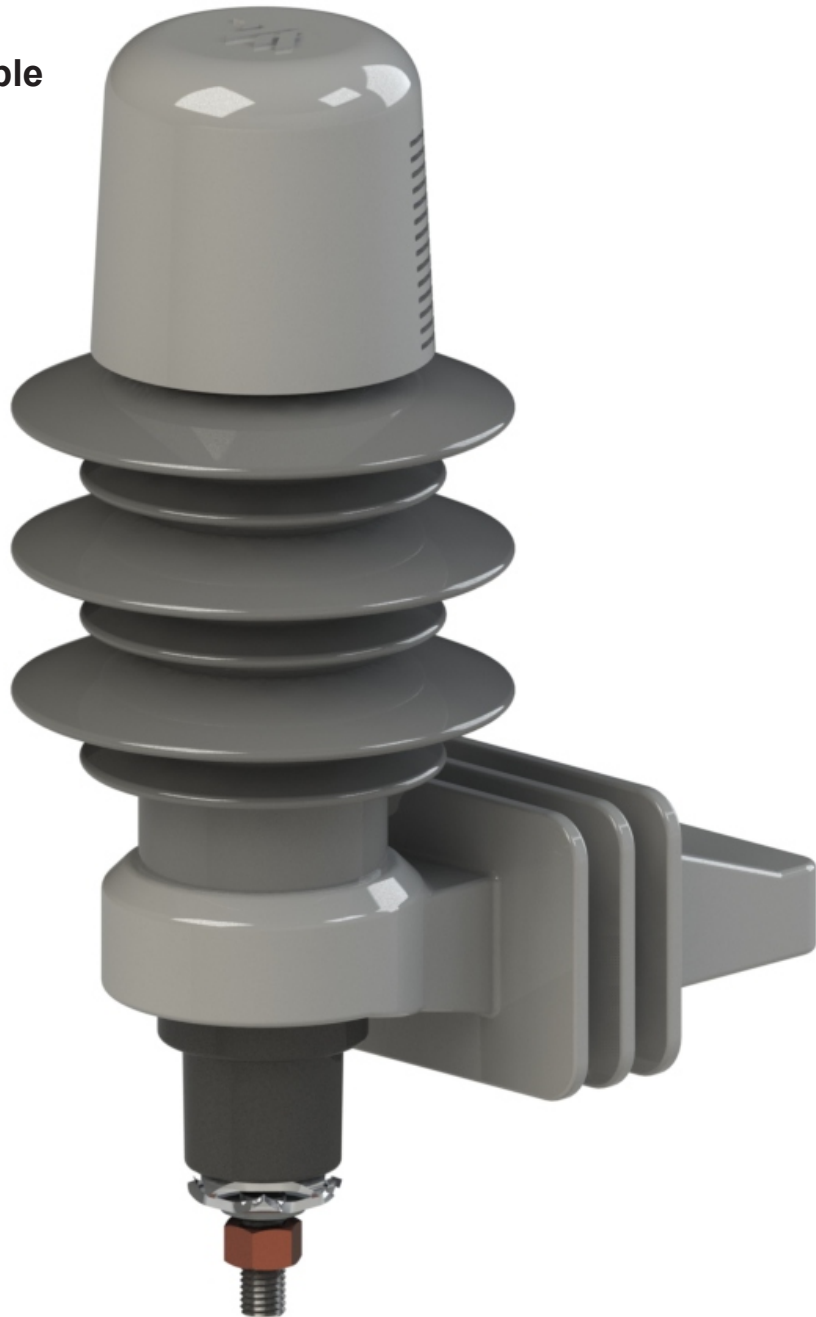
ALUMA-FORM®

# Distribution Arresters

## Heavy Duty & Riser Pole Arresters

---

- Tested to the latest IEEE C62.11 standards
- High Strength Fiberglass Isolator Brackets
- Ground Lead Disconnect will operate with a minimum of 1 amp
- Protective Cap
- RUS Approved
- Directional Option Available



RUS Approved



**ALUMA-FORM®**

# Distribution Arresters

## Heavy Duty & Riser Pole Arresters

---

*Best in class design. Complete offering has passed the latest ANSI/IEEE standards and are **RUS approved**.*

*Our arrester terminal options include Stainless steel stud, washers, and wire clamps with silicon bronze nut.*

*The stainless steel protective cap wrap around design protects the top edge of the insulator and provides an area for the arrester's specifications to be engraved.*

*The aluminum alloy electrode is threaded, glued, and pinned into the tube structure. Benefits are:*

- *Eliminates extreme pressure spikes during surges.*
- *Resists rotation from tightening hardware.*
- *Prevents movement from vibration and temperature cycles*

*Seamless tube provides the best choice for arrester housings*

- *Ultimate structural integrity throughout the arrester housing compared to other methods (wrap / cage)*
- *Precision dimensional control for tighter tolerance*

*Proprietary blended silicon rubber fully encapsulates arrester stack.*

- *Hermetically sealed*
- *No chance of air/water ingress*
- *Sheds sized and shaped for optimized insulating properties*

*Isolator bracket constructed using high strength fiberglass*

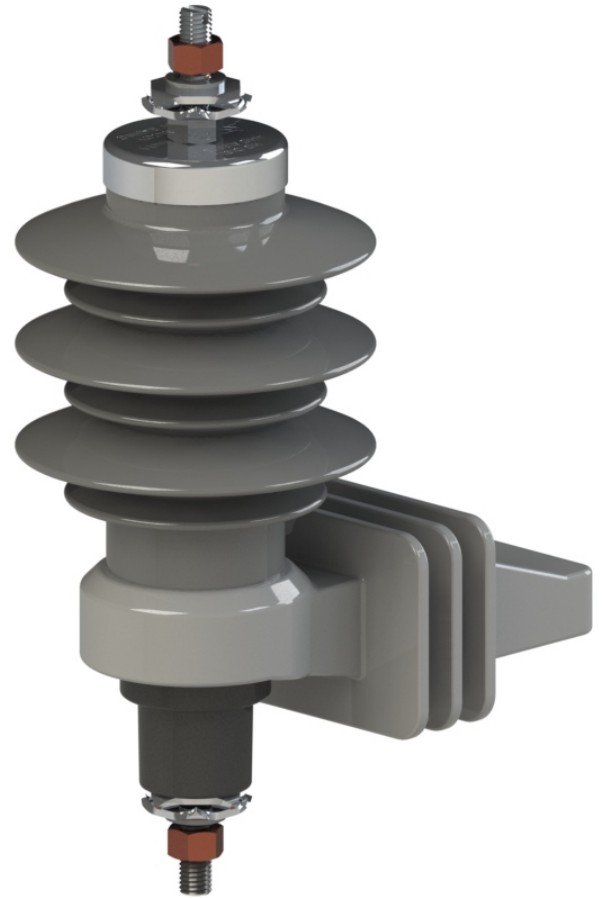
- *UV resistant*
- *Flame resistant*
- *Solid body*
- *Universal design for size interchangeability*
- *Three sizes available*

*Ground lead disconnect meets all of the most current IEEE testing requirements*

- *External mount for easier identification of operation*
- *No wrench design to alleviate potential damage*
- *Superior low current performance*

*Optional wildlife protector allows for isolation of connections*

- *UV resistant*
- *Impact resistant*
- *High Profile for maximum internal volume*





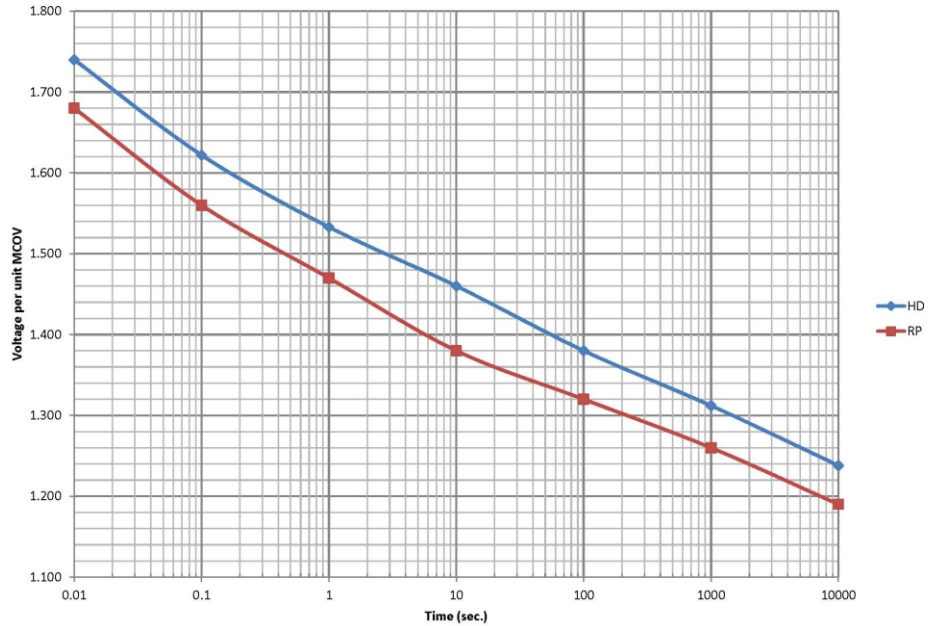
ALUMA-FORM®

# Distribution Arresters

## Heavy Duty Arrester Characteristics



TOV Curve - No Prior Duty



Rated Voltage	MCOV	FOW	Switching	Lightning - 8/20					
				1.5kA	3kA	5kA	10kA	20kA	40kA
3	2.55	10.3	7.5	7.8	8.4	8.7	9.4	10.7	12.5
6	5.1	20.4	14.9	15.6	16.8	17.2	18.6	21.2	24.8
9	7.65	30.5	22.2	23	24.9	25.7	27.8	31.7	37.2
10	8.4	33.8	24.1	25.2	27.1	28.3	30.7	34.8	40.8
12	10.2	40.4	29.2	30.4	32.8	34.1	37	42.2	49.4
15	12.7	50.5	36.5	38.1	41	42.8	46.2	52.7	61.7
18	15.3	60.6	43.4	45.3	49.2	51	55.4	63.2	73.9
21	17	70.7	51.1	53.1	57	59.4	64.5	73.6	86.1
24	19.5	80.8	58.4	60.8	65.2	67.8	73.6	84	98.4
27	22	90.9	65.7	68.4	73.4	76.4	82.8	94.6	110.8
30	24.4	101	74	75.6	80.8	85	94	105.5	124
33	27	111.1	81.4	85.1	90.4	93.5	103.4	115.5	136.4
36	29	121.2	88.8	90.7	97.1	102	112.8	126	148.8



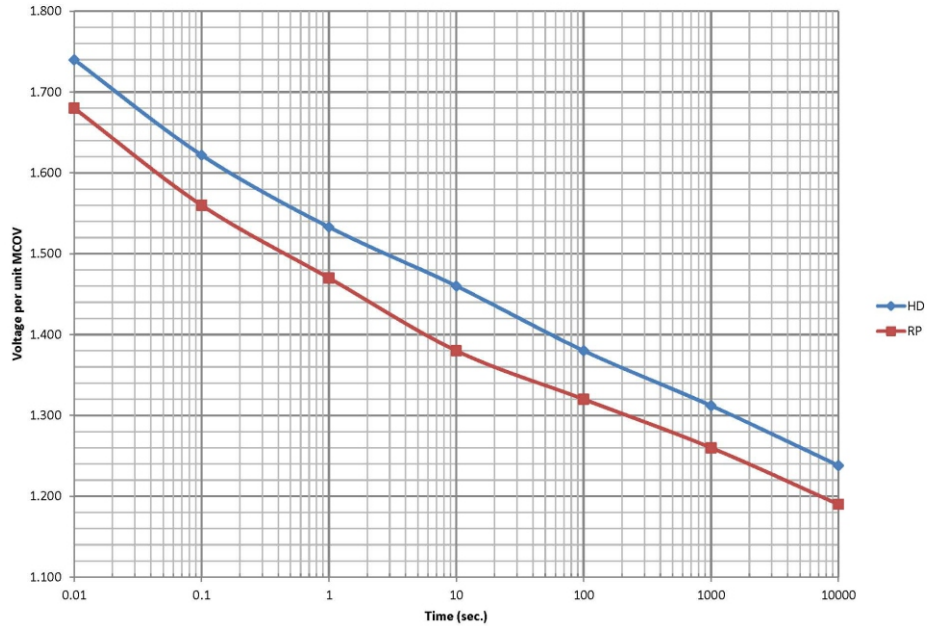
ALUMA-FORM®

# Distribution Arresters

## Riser Pole Arrester Characteristics



TOV Curve - No Prior Duty



Rated Voltage	MCOV	FOW	Switching	Lightning - 8/20					
				1.5kA	3kA	5kA	10kA	20kA	40kA
3	2.55	9.4	7.1	7.2	7.7	8.1	8.8	9.9	11.7
6	5.1	18.8	14.2	14.4	15.2	16.2	17.6	19.8	23.4
9	7.65	27.1	18.5	21	22.3	23.4	24.8	28.1	32.5
10	8.4	29.5	22	23.1	24.5	25.6	27.1	31	35.8
12	10.2	35.7	26.3	28.2	29.4	30.5	32.5	36.5	42.6
15	12.7	44.5	32.7	34.1	35.3	37.6	40.3	45.6	53
18	15.3	54.3	38.8	41.2	43.6	44.9	49	55.4	63.5
21	17	61	45.6	46.8	49.2	51.8	56.1	63.5	73.7
24	19.5	70.3	51.3	54.1	56.5	60.2	65	73.4	84.9
27	22	79.2	58	60.8	64.5	67.6	72.5	82.6	95
30	24.4	88.6	64.3	67.9	72.1	75.3	81.5	91.4	107.1
33	27	97.5	72.2	74.8	79.5	82.2	90	100.5	116.3
36	29	105	76.3	80.5	85.5	89.4	96.5	110	126.5



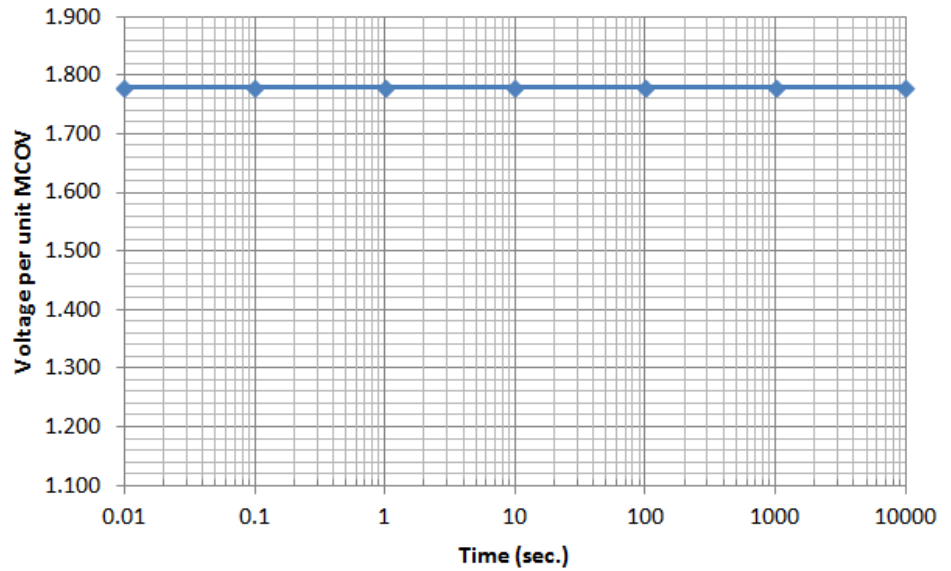
ALUMA-FORM®

# Distribution Arresters

## “Titan” Arrester Characteristics



TOV Curve - No Prior Duty



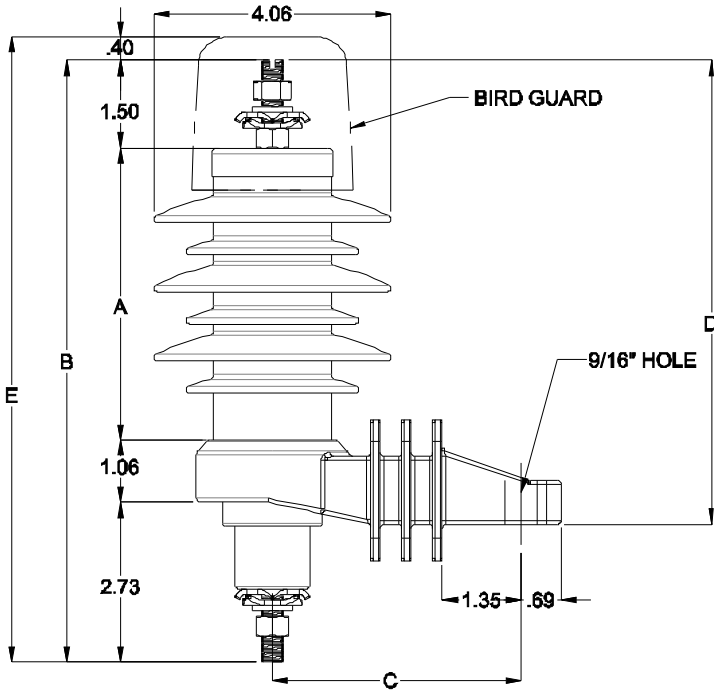
Rated Voltage	MCOV	Min 60 Hz Sparkover	FOW	Switching	Lightning - 8/20					
					1.5kA	3kA	5kA	10kA	20kA	40kA
3	2.55	4.6	20	7.5	7.8	8.4	8.7	9.4	10.7	12.5
6	5.1	9.1	23	14.9	15.6	16.8	17.2	18.6	21.2	24.8
9	7.65	13.6	32.4	17.8	18.9	20.1	21	22.9	25.4	28.6
10	8.4	15	32.4	19	20	20.9	22.3	24.3	26.9	30.3
12	10.2	18.2	52.4	23.8	25.2	26.8	28	30.6	33.8	38.1
15	12.7	22.6	55.4	28.8	30	32.3	35	38.3	43.6	51
18	15.3	27.2	64.8	35.7	37.8	40.3	42.1	45.9	50.7	57.1
21	17	30.3	64.8	37.8	40	43.1	46.1	50.5	57.6	67
24	19.5	34.7	87.8	43.8	46.2	50	53.2	58.1	67	78
27	22	39.2	97.2	50.8	53.8	57.4	60	65.4	72.3	81.6
30	24.4	43.4	117.2	55.3	58.6	63.2	67.7	74	85	98
33	27	48.1	120.2	62.8	66.6	71.7	77	84	96	115
36	29	51.6	129.6	66.4	70.4	76	81	89	102	118



ALUMA-FORM®

# Distribution Arresters

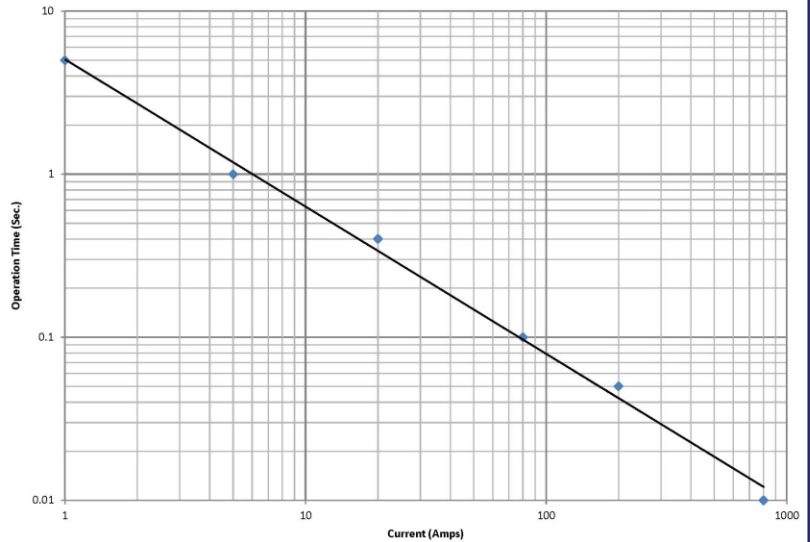
## Arrester Characteristics



### Ground Lead Disconnect Curve

The Aluma-Form Ground Lead Disconnect (GLD) will operate efficiently down to 1 amp. Our GLD will operate in under 1 second at 5 amps. It will also operate in under 5 seconds at 1 amp. The following curve (below) shows the operating range of our GLD.

Ground Lead Disconnect Operation Curve



Catalog Name	Voltage Rating	Creepage (Inches)	Housing	Housing Length "A"	B	C	D	E	Weight (lbs)	Isolator Bracket
AHD-03**	3	9.1	A	3-13/16	9-1/8	4.25	6-5/8	9-9/16	2.9	1
AHD-06**	6	13.4	B	5	10-5/16	4.25	7-13/16	10-3/4	3.1	1
AHD-09**	9	13.4	B	5	10-5/16	4.25	7-13/16	10-3/4	3.2	1
AHD-010**	10	13.4	B	5	10-5/16	4.25	7-13/16	10-3/4	3.2	1
AHD-012**	12	17.3	C	6-1/2	11-7/8	5	9-3/8	12-5/16	4.2	2
AHD-015**	15	25.2	D	8-13/16	14-15/16	5	12-7/16	15-3/8	4.5	2
AHD-018**	18	25.2	D	8-13/16	14-15/16	6	12-7/16	15-3/8	4.5	3
AHD-021**	21	29.1	E	10	15-1/4	6	12-3/4	15-3/4	5.1	3
AHD-024**	24	33.5	F	11-1/4	16-1/2	6	14	16-7/8	5.5	3
AHD-027**	27	33.5	F	11-1/4	16-1/2	6	14	16-7/8	5.5	3
AHD-030**	30	42.3	G	13-3/4	19-5/16	6	17	19-3/4	6.5	3
AHD-033**	33	42.3	G	13-3/4	19-5/16	6	17	19-3/4	6.5	3
AHD-036**	36	49.4	H	15-11/16	20-15-16	6	18-7/16	21-3/8	7.8	3

\*\* For riser pole change "AHD" to "ARP"





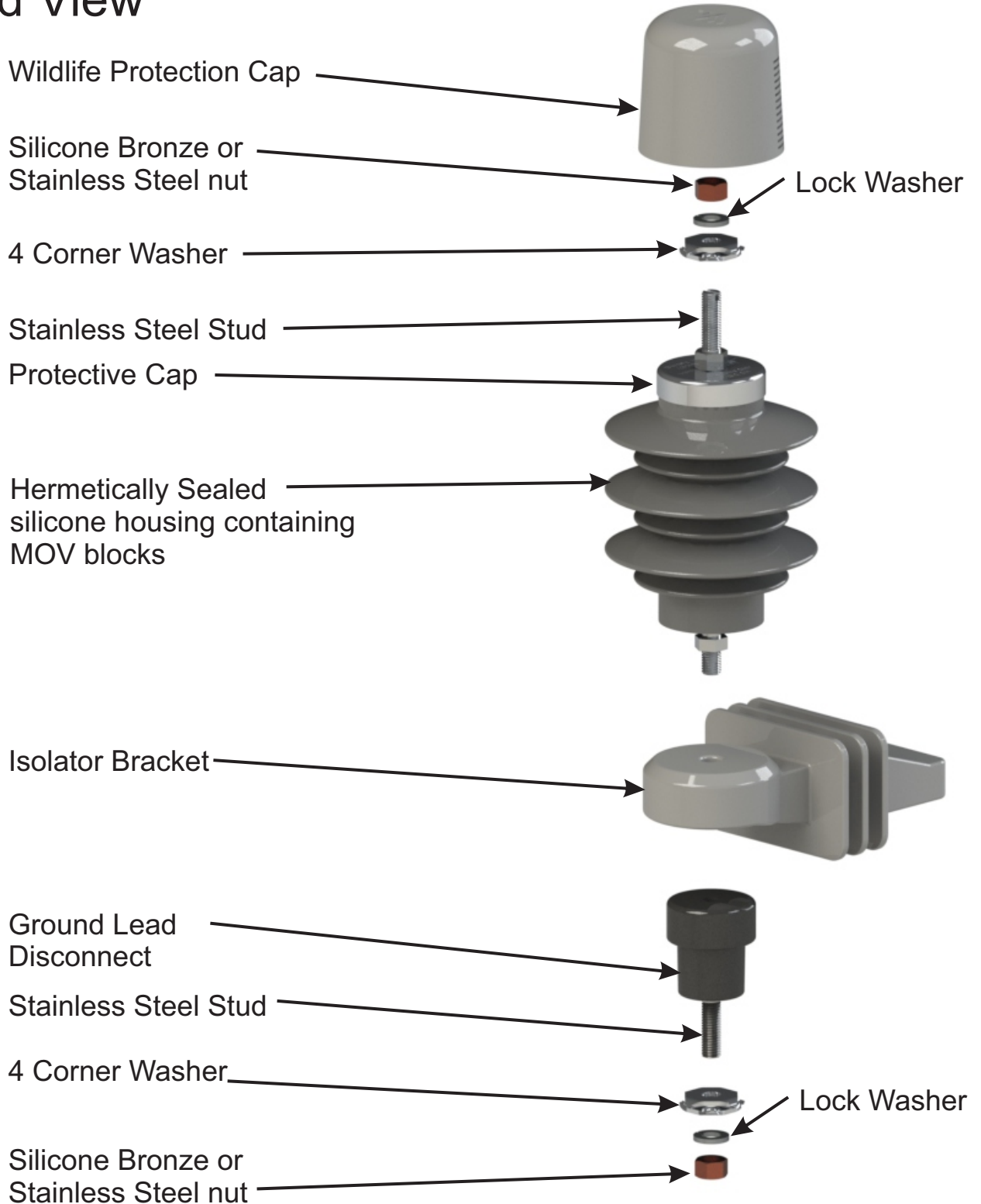
ALUMA-FORM®

# Distribution Arresters

## Heavy Duty & Riser Pole Arresters

---

### Exploded View





**ALUMA-FORM®**

# Distribution Arresters

## Heavy Duty & Riser Pole Arresters

# AHD-10B-1GX-4X1-4X-B

### Arrestor Type

AHD = Arrestor Heavy Duty

ARP = Arrestor Riser Pole

\*Add a -T for Titan or -D for Directional

### kV Rating of Arrestor

03 - 3kV 15 - 15kV

06 - 6kV 18 - 18kV

09 - 9kV 21 - 21kV 30 - 30kV

10 - 10kV 24 - 24kV 33 - 33kV

12 - 12kV 27 - 27kV 36 - 36kV

### Housing Size

A - Hsg A (3kV)

B - Hsg B (6, 9, 10kV)

C - Hsg C (12)

D - Hsg D (15 & 18kV)

E - Hsg E (21kV)

G - Hsg G (30 & 33kV)

F - Hsg F (24 & 27kV) H - Hsg H (36kV)

### Isolator Bracket Size

1 - Size 1 Isolator (3-12kV)

2 - Size 2 Isolator (15-24kV)

3 - Size 3 Isolator (27kV)

### Ground Lead Disconnect

G - with GLD

X - without GLD

### Mounting Bracket options

A - Nema A Crossarm

B - Nema B Crossarm

C - Transformer, small

D - Transformer, medium

E - Transformer, large

X - No Bracket

### Hardware (Top of Arrestor)

1 - Std nut, 4-corner, flat wash., lock wash.

2 - Std nut, two 4-corner, lock wash.

3 - Si Bronze nut, 4-corner, flat wash., lock wash.

4 - Si Bronze nut, two 4-corner, lock wash.

5 - SS nut, lock wash., flat wash.

6 - Si Bronze nut, lock wash., flat wash.

7 - No First Hex nut, SS nut, 4-corne, lock wash

X - No hardware

### Line Lead (Top of Arrestor)

A - 18" #6 Insulated Wire Lead, strip 1.25" both ends

B - 18" #6 Insulated Wire Lead, strip 1.25"/ ring term.

C - 18" #6 Insulated Wire Lead, 2 ring term.

D - Overhead Primary Tap - #2-556 Al or Cu

E - 84" #6 Insulated Wire Lead, strip 1.25"/ ring term

F - 12" #4 Tinned Copper Braided Conductor

X - No line term. wire

### Additional Options

B - Boss Mounting Hardware (only with mounting brackets options C, D &E)

### Ground Lead (Bottom)

A - 18" #6 Insulated Wire Lead, strip 1.25" both ends

B - 18" #6 Insulated Wire Lead, strip 1.25"/ ring term.

C - 18" #6 Insulated Wire Lead, 2 ring term.

D - 12" Copper Strap

X - No ground term. wire

### Hardware (Bottom)

1 - Std nut, 4-corner, flat wash., lock wash.

2 - Std nut, two 4-corner, lock wash.

3 - Si Bronze nut, 4-corner, flat wash., lock wash.

4 - Si Bronze nut, two 4-corner, lock wash.

5 - SS nut, lock wash., flat wash.

6 - Si Bronze nut, lock wash., flat wash.

X - No hardware

### Top (options)

1 - Wildlife protection cap

2 - Flipper fuse kit

X - No option





ALUMA-FORM®

# Distribution Arresters

Line Lead Option

---



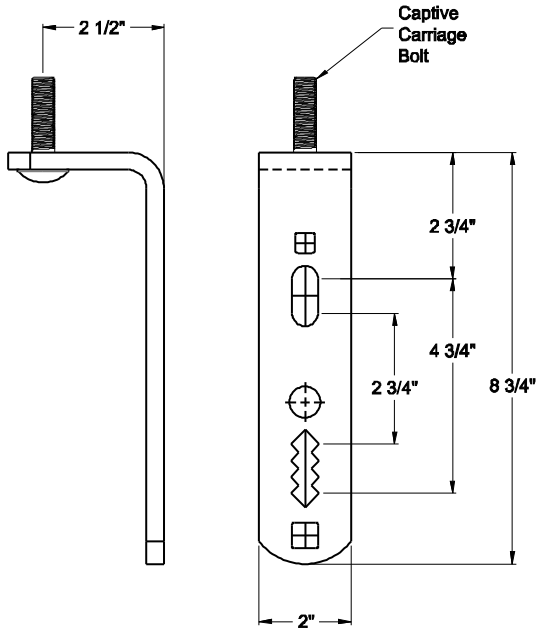
Overhead Primary Tap  
#2-556 Al or Cu



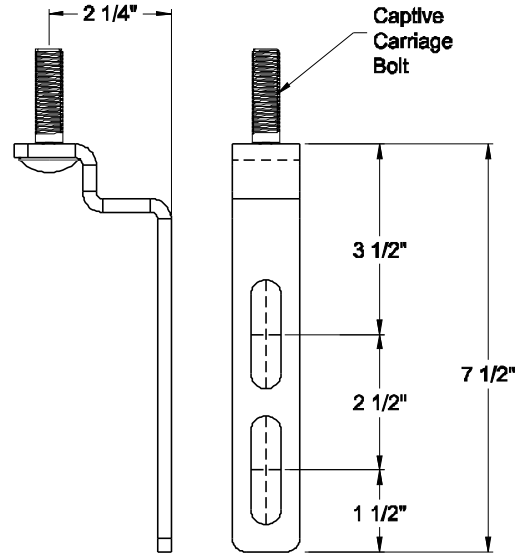
ALUMA-FORM®

# Distribution Arresters

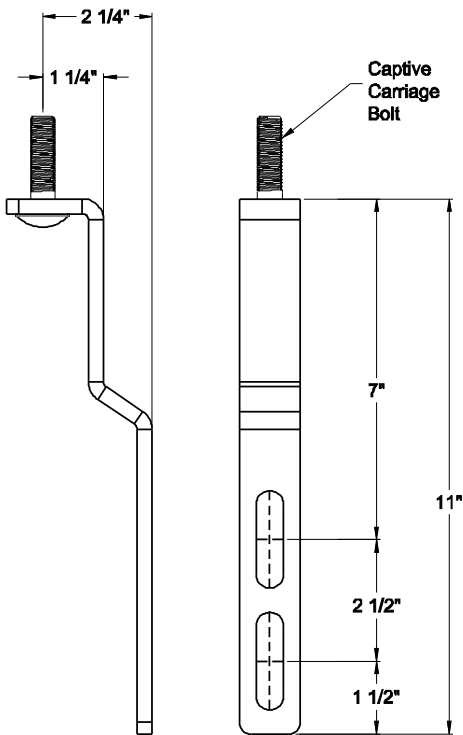
## Arrester Mounting Options



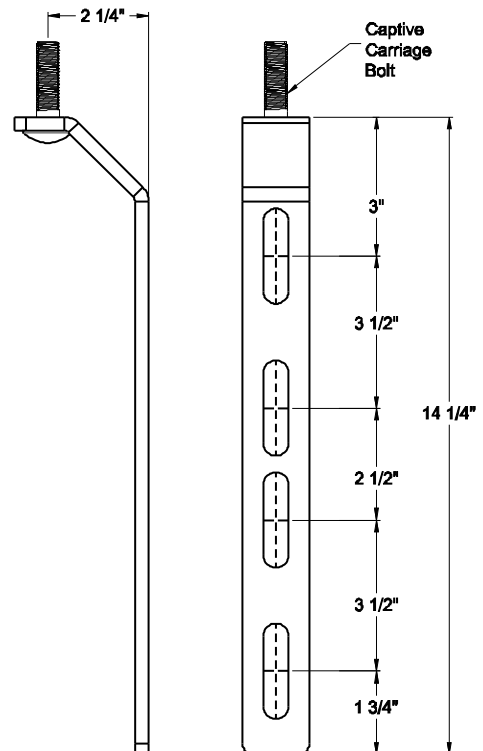
NEMA "A"



Small Transformer Bracket



Medium Transformer Bracket



Large Transformer Bracket

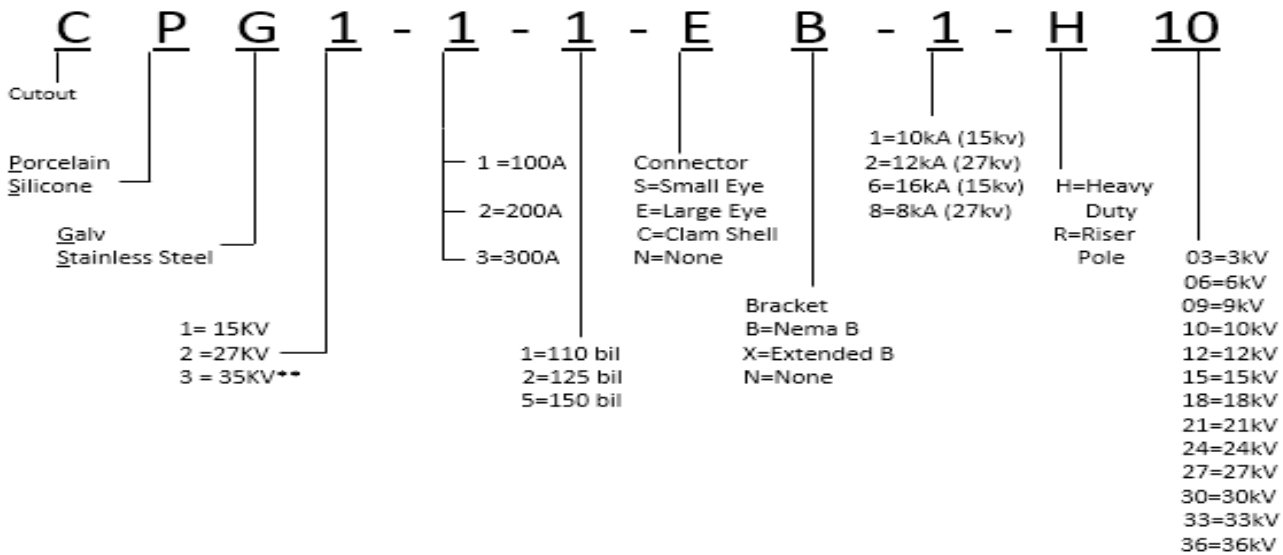


ALUMA-FORM®

# Cutout / Arrester Combo



-----Cutout Style----- | -Arrester Style- |

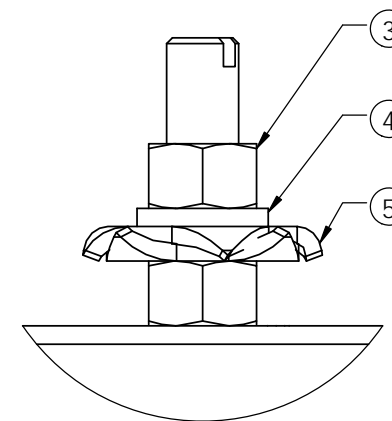
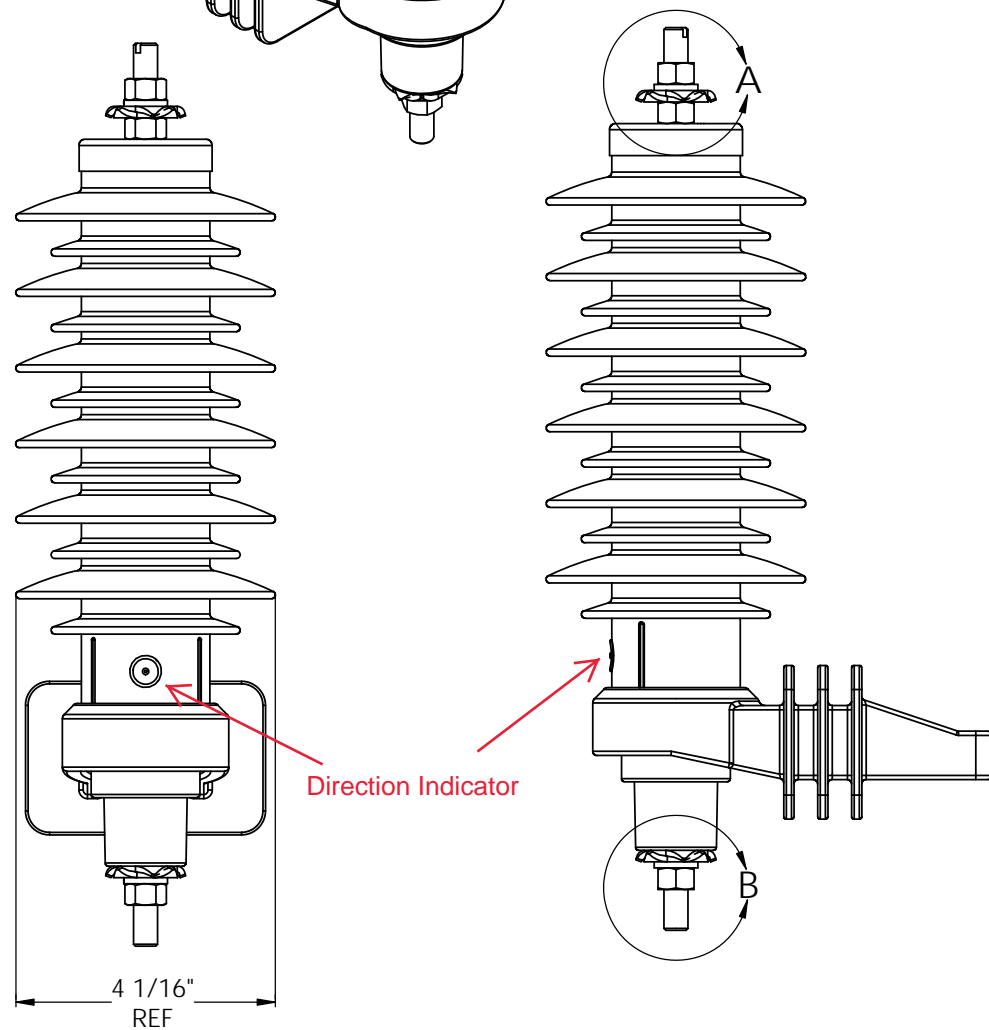
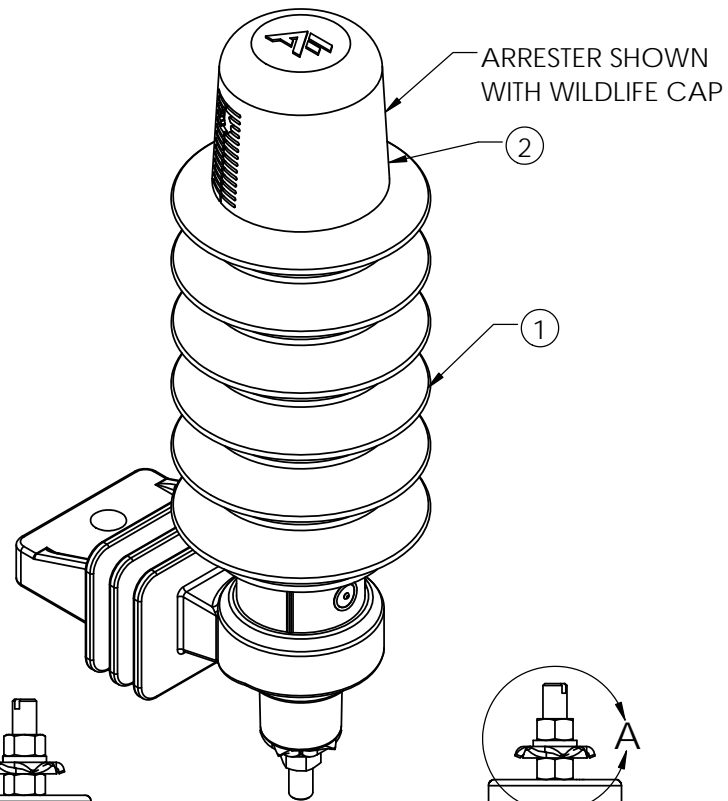
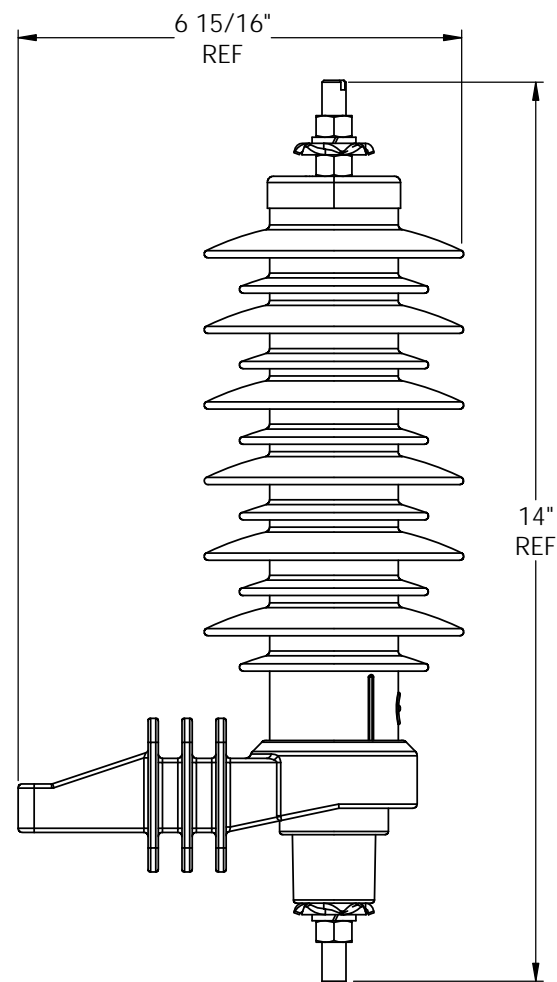
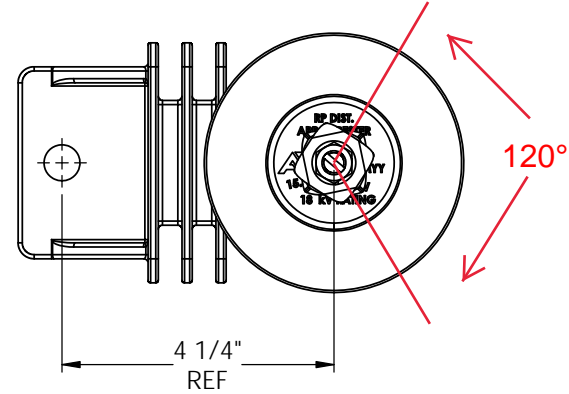


\*Please note that the arrester style for the combo unit is our standard arrester housing and isolator bracket with a ground lead disconnect, wild life protection cap, no line or ground lead and with the following hardware on top and bottom: SS nut, 4-corner, flat washer, lock washer.

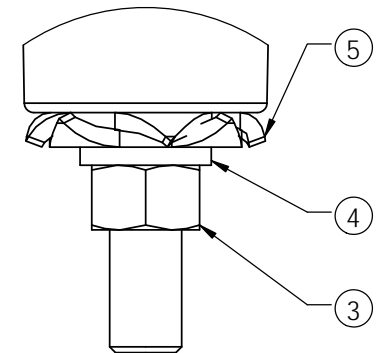
\*\*Different styles and configurations can be ordered. Please contact you regional sales manager or sales agency for details.

DUPLICATION, DISTRIBUTION OR ALTERATION OF THIS DOCUMENT BY ANY MEANS, IN WHOLE OR IN PART, IS STRICTLY FORBIDDEN. ALL INFORMATION HEREIN IS THE CONFIDENTIAL, PROPRIETARY AND INTELLECTUAL PROPERTY OF ALUMA-FORM, INC. ANY USE OR PUBLICATION OF THIS DOCUMENT OR CONTAINED INFORMATION, WITHOUT FIRST OBTAINING EXPLICIT WRITTEN AUTHORIZATION FROM ALUMA-FORM, INC., IS ABSOLUTELY FORBIDDEN.

- NOTE:
1. GENERAL VIEWS SHOWN WITHOUT WILDLIFE CAP FOR HARDWARE ILLUSTRATION
  2. ALL DIMENSIONS FOR REFERENCE ONLY
  3. TOP AND BOTTOM NUT SHALL BE HAND TIGHTENED ONLY ENOUGH TO SECURE WASHERS



**DETAIL A**  
SCALE 1 : 1



**DETAIL B**  
SCALE 1 : 1

"D" added in part number to indicate directional.

ITEM NO.	PART NUMBER	DESCRIPTION	QTY
1	48051-07	ARP-18D-1G, ASSEMBLY	1
2	25224	WILDLIFE CAP, ARRESTER	1
3	30541	NUT, HEX, 3/8" Silicon Bronze	2
4	30398	3/8" REGULAR HELICAL LOCKWASHER, S.S.	2
5	30420	WIRE CLAMP, ARRESTER	4
-	18162	BOLT PACK, PRESSFIT NEMA A BRACKET	1
-	67777-05	LABEL, ARRESTER RATING, 18kV	1
-	67778-02	LABEL, ARRESTER TYPE, RP	1

## Directional Arrester

UNLESS OTHERWISE SPECIFIED, STANDARD ALUMA-FORM, INC. MANUFACTURING TOLERANCES APPLY

CHANGE / REVISION DESCRIPTION		JOB NUMBER	ALUMA-FORM, Inc.			SCALE	1:4	DESCRIPTION	RP ARRESTER, ARP-D-18D-1GA-4X1-4X			
			3625 OLD GETWELL ROAD MEMPHIS, TN 38118-6072 U.S.A.			PROJECT CODE		MATERIAL				
						WEIGHT	2.88	SECTION				
			LYW	5780	22-DEC-16	REVISED BY	REVISED E. A.	REVISED DATE	REVIEWED	APPROVED	59049	-
			DRAWN BY	RELEASE E.A.	RELEASE DATE						DRAWING NUMBER	REVISION