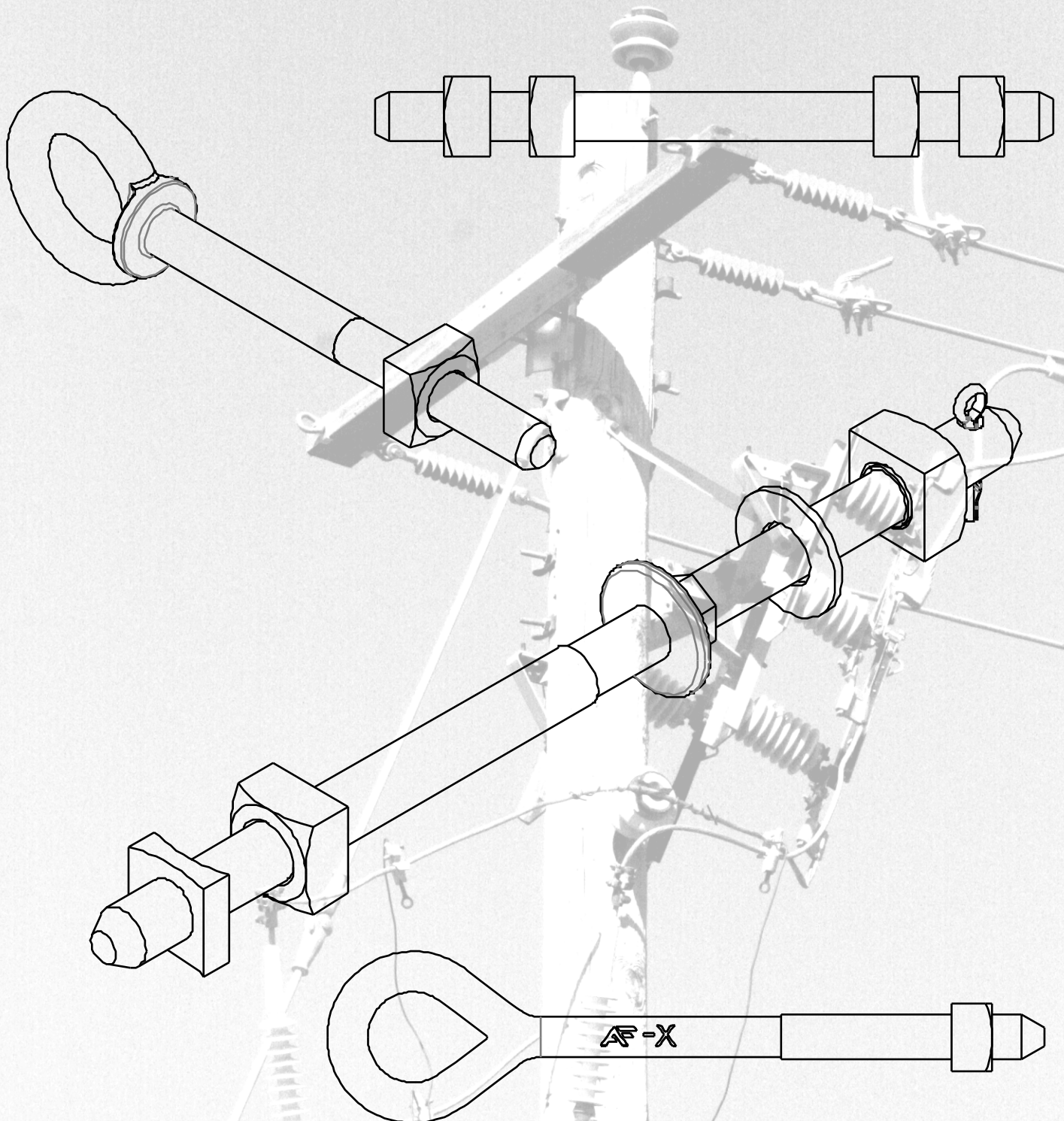




ALUMA-FORM®

Pole Line Hardware





ALUMA-FORM®

Pole Line Hardware

Table of Contents

3 - Machine Bolts	23 - Short Shank Insulator Pins
4 - Hex Flange Bolts	24 - Steel Insulator Pins, Straight
5 - Hex Bolt - Silicone Bronze	25 - Steel Insulator Pin, Offset
6 - Carriage Bolts	26 - Anchor Shackle
7 - Double Arming Bolts	27 - Clevis, Thimble Ductile Iron
8 - Oval Eye Bolts	28 - Clevis, Thimble Pressed Steel
9 - Shoulder Eye Bolts	29 - Clevis, Insulated Secondary and Deadend
10 - Nuts, MF and Square	30 - Clevis, Insulated cont.
11 - Eye Nuts, Oval and Thimble	31 - Clevis, Insulated cont.
12 - Eyelets	32 - Secondary Rack
13 - Double Coil Lockwasher, Spring Washer	33 - Wireholder, Lag Screw
14 - HDG Square Washer, Flat and Curved	34 - Pole Eye Guy Attachments
15 - Iron Curved Washers, Rectangular and Square	35 - Pole Eye Guy cont.
16 - Upset Bolts	36 - Line Post Support Bracket
17 - Thimble Eye Bolts	37 - Mounting Brackets
18 - Lag Bolts	38 - Extension Bracket
19 - Drive Hook Lag Screw	39 - Guy Clamp
20 - Line Post Studs	40 - Grid Gain(s)
21 - Insulator Pins, Long Shank	
22 - Clamp Insulator Pins	



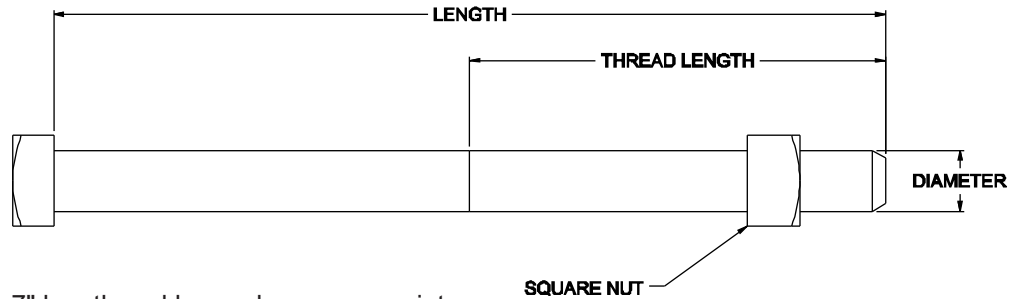
ALUMA-FORM®

Pole Line Hardware

Machine Bolts

Features

- Square Head and Square Nut
- Rolled Threads, ANSI C135.1
- Hot dip galvanized to meet ASTM A153
- Bolts 1/2" diameter and larger and bolts 7" length and longer have cone points.



3/8" Diameter		4,250 lbs - Minimum Tensile Strength			
Catalog Name	Description	Length	Thread Length	Weight per 100	Box QTY
AF860112	3/8" X 1-1/2" MACHINE BOLT	1-1/2"	FULL	9	250
AF860412	3/8" X 4-1/2" MACHINE BOLT	4"	3"	19	250
AF8605	3/8" X 5" MACHINE BOLT	5"	3"	20	250
AF860512	3/8" X 5-1/2" MACHINE BOLT	5-1/2"	3"	22	250

1/2" Diameter		7,800 lbs - Minimum Tensile Strength			
Catalog Name	Description	Length	Thread Length	Weight per 100	Box QTY
AF870112	1/2" X 1-1/2" MACHINE BOLT	1-1/2"	1-1/4"	20	250
AF8705	1/2" X 5" MACHINE BOLT	5"	3"	40	100
AF8706	1/2" X 6" MACHINE BOLT	6"	3"	45	100
AF8707	1/2" X 7" MACHINE BOLT	7"	3"	51	100
AF8708	1/2" X 8" MACHINE BOLT	8"	4"	56	100
AF8710	1/2" X 10" MACHINE BOLT	10"	4"	68	50
AF8712	1/2" X 12" MACHINE BOLT	12"	6"	79	50
AF8714	1/2" X 14" MACHINE BOLT	14"	6"	90	50
AF8716	1/2" X 16" MACHINE BOLT	16"	6"	101	50

5/8" Diameter		12,400 lbs - Minimum Tensile Strength			
Catalog Name	Description	Length	Thread Length	Weight per 100	Box QTY
AF8802	5/8" X 2" MACHINE BOLT	2"	1-1/2"	33	150
AF8805	5/8" X 5" MACHINE BOLT	5"	3"	54	50
AF8806	5/8" X 6" MACHINE BOLT	6"	6"	61	50
AF8807	5/8" X 7" MACHINE BOLT	7"	4"	68	50
AF8808	5/8" X 8" MACHINE BOLT	8"	4"	75	50
AF8809	5/8" X 9" MACHINE BOLT	9"	4"	82	50
AF8810	5/8" X 10" MACHINE BOLT	10"	6"	89	50
AF8812	5/8" X 12" MACHINE BOLT	12"	6"	104	50
AF8814	5/8" X 14" MACHINE BOLT	14"	6"	118	50
AF8816	5/8" X 16" MACHINE BOLT	16"	6"	132	30
AF8818	5/8" X 18" MACHINE BOLT	18"	6"	146	30
AF8820	5/8" X 20" MACHINE BOLT	20"	6"	160	30
AF8822	5/8" X 22" MACHINE BOLT	22"	6"	175	25
AF8824	5/8" X 24" MACHINE BOLT	24"	6"	189	25
AF8826	5/8" X 26" MACHINE BOLT	26"	6"	203	20
AF8828	5/8" X 28" MACHINE BOLT	28"	6"	217	20
AF8830	5/8" X 30" MACHINE BOLT	30"	6"	231	20
AF8832	5/8" X 32" MACHINE BOLT	32"	6"	246	20
AF8836	5/8" X 36" MACHINE BOLT	36"	6"	274	15

3/4" Diameter		18,350 lbs - Minimum Tensile Strength			
Catalog Name	Description	Length	Thread Length	Weight per 100	Box QTY
AF8906	3/4" X 6" MACHINE BOLT	6"	4"	117	50
AF8908	3/4" X 8" MACHINE BOLT	8"	4"	142	50
AF8910	3/4" X 10" MACHINE BOLT	10"	6"	167	30
AF8912	3/4" X 12" MACHINE BOLT	12"	6"	192	25
AF8914	3/4" X 14" MACHINE BOLT	14"	6"	217	25
AF8916	3/4" X 16" MACHINE BOLT	16"	6"	242	25
AF8918	3/4" X 18" MACHINE BOLT	18"	6"	267	25
AF8920	3/4" X 20" MACHINE BOLT	20"	6"	292	25
AF8922	3/4" X 22" MACHINE BOLT	22"	6"	317	15
AF8924	3/4" X 24" MACHINE BOLT	24"	6"	342	15
AF8926	3/4" X 26" MACHINE BOLT	26"	6"	367	15
AF8928	3/4" X 28" MACHINE BOLT	28"	6"	392	15

7/8" Diameter		25,400 lbs - Minimum Tensile Strength			
Catalog Name	Description	Length	Thread Length	Weight per 100	Box QTY
AF9062	7/8" X 12" MACHINE BOLT	12"	6"	216	20
AF9064	7/8" X 14" MACHINE BOLT	14"	6"	244	15
AF9066	7/8" X 16" MACHINE BOLT	16"	6"	272	15
AF9068	7/8" X 18" MACHINE BOLT	18"	6"	309	15
AF9070	7/8" X 20" MACHINE BOLT	20"	6"	328	10
AF9072	7/8" X 22" MACHINE BOLT	22"	6"	356	10
AF9074	7/8" X 24" MACHINE BOLT	24"	6"	384	10
AF9076	7/8" X 26" MACHINE BOLT	26"	6"	412	10
AF9078	7/8" X 28" MACHINE BOLT	28"	6"	440	10
AF9080	7/8" X 30" MACHINE BOLT	30"	6"	468	10
AF9082	7/8" X 32" MACHINE BOLT	32"	6"	496	10
AF9084	7/8" X 34" MACHINE BOLT	34"	6"	524	10
AF9086	7/8" X 36" MACHINE BOLT	36"	6"	552	10



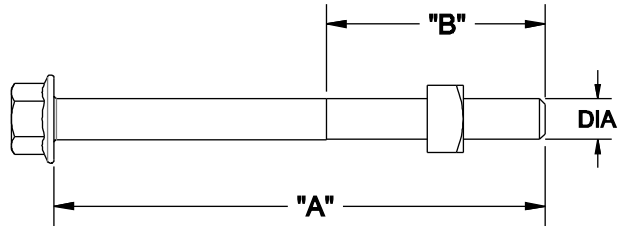
ALUMA-FORM®

Pole Line Hardware

Hex Flange Bolts

Features

- Hex Head and square nut
- Rolled Threads, ANSI C135.1
- Hot dip galvanized to meet ASTM A153



Hex Flange Bolts						
Catalog Name	Description	DIA	"A"	"B"	Weight per 100	Box QTY
AF8624-1/2	3/8" X 4-1/2" HEX FLANGE BOLT W/SQ NUT	3/8"	4-1/2"	2"	21	250



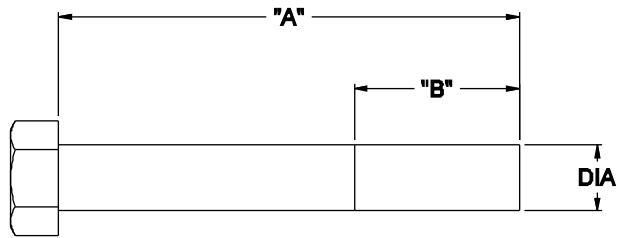
ALUMA-FORM®

Pole Line Hardware

Hex Bolt - Silicone Bronze

Features

- Hex Head and square nut
- Rolled Threads, ANSI C135.1



Silicon Bronze Hex Bolts

Catalog Name	Description	DIA	"A"	"B"	Weight per 100	Inner Box QTY	Outer Box QTY
AF-HHB-1213-150	1/2" X 1-1/2" SILICON BRONZE HEX BOLT	1/2"	1-1/2"	1-1/4"	12	50	400
AF-HHB-1213-350	1/2" X 3-1/2" SILICON BRONZE HEX BOLT	1/2"	3-1/2"	1-1/4"	24	25	200



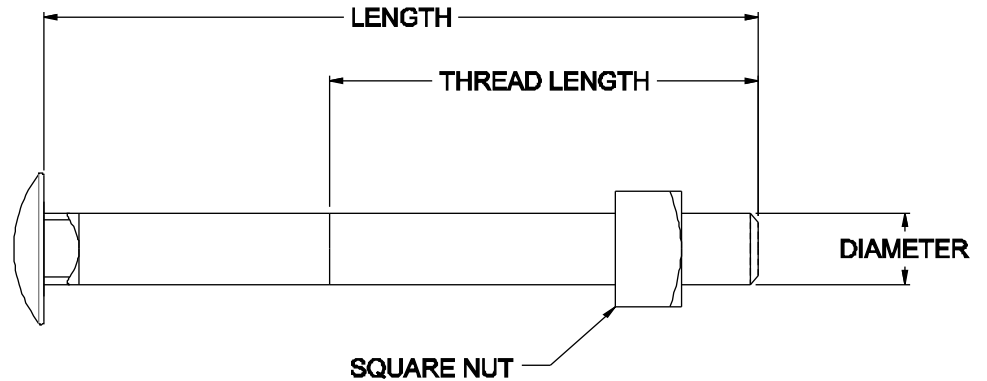
ALUMA-FORM®

Pole Line Hardware

Carriage Bolts

Features

- Supplied Assembled with Square Nut
- Rolled Threads
- Square Shoulder
- Hot dip galvanized to meet ASTM A153



3/8" Diameter		4,250 lbs - Minimum Tensile Strength			
Catalog Name	Description	Length	Thread Length	Weight per 100	Box QTY
AF863412	3/8" X 4-1/2" CARRIAGE BOLT	4-1/2"	3"	16	250
AF8635	3/8" X 5" CARRIAGE BOLT	5"	3"	17	250
AF8636	3/8" X 6" CARRIAGE BOLT	6"	3"	19	250
AF8637	3/8" X 7" CARRIAGE BOLT	7"	3"	22	250
AF8638	3/8" X 8" CARRIAGE BOLT	8"	6"	26	150

1/2" Diameter		8,500 lbs - Minimum Tensile Strength			
Catalog Name	Description	Length	Thread Length	Weight per 100	Box QTY
AF8645	1/2" X 5" CARRIAGE BOLT	5"	3"	35	150
AF864512	1/2" X 5-1/2" CARRIAGE BOLT	5-1/2"	3"	36	100
AF8646	1/2" X 6" CARRIAGE BOLT	6"	3"	37	100



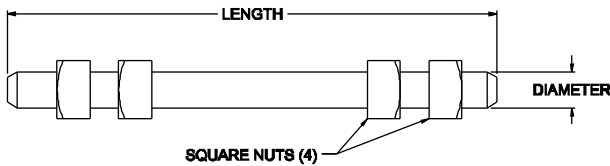
ALUMA-FORM®

Pole Line Hardware

Double Arming Bolts

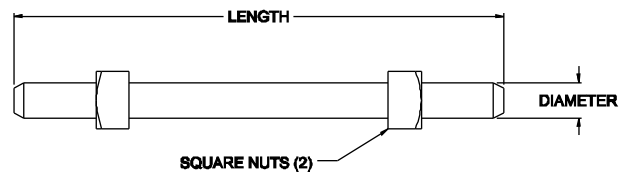
Features

- Fully threaded and assembled with 4 square nuts
- Cone point at each end to ease starting, ANSI C135.1
- Rolled Threads, Hot dip galvanized to meet ASTM A153



5/8" Diameter		13,550 lbs - Minimum Tensile Strength			
Catalog Name	Description	Length	Thread Length	Weight per 100	Box QTY
AF8860	5/8" X 10" DA BOLT (4 SQ NUTS)	10"	Full	109	30
AF8862	5/8" X 12" DA BOLT (4 SQ NUTS)	12"	Full	123	30
AF8864	5/8" X 14" DA BOLT (4 SQ NUTS)	14"	Full	137	30
AF8866	5/8" X 16" DA BOLT (4 SQ NUTS)	16"	Full	151	25
AF8868	5/8" X 18" DA BOLT (4 SQ NUTS)	18"	Full	165	25
AF8870	5/8" X 20" DA BOLT (4 SQ NUTS)	20"	Full	180	25
AF8872	5/8" X 22" DA BOLT (4 SQ NUTS)	22"	Full	194	25
AF8874	5/8" X 24" DA BOLT (4 SQ NUTS)	24"	Full	208	25
AF8876	5/8" X 26" DA BOLT (4 SQ NUTS)	26"	Full	222	25
AF8877	5/8" X 28" DA BOLT (4 SQ NUTS)	28"	Full	236	25
AF8878	5/8" X 30" DA BOLT (4 SQ NUTS)	30"	Full	251	25
AF8879	5/8" X 32" DA BOLT (4 SQ NUTS)	32"	Full	265	20
AF8880	5/8" X 34" DA BOLT (4 SQ NUTS)	34"	Full	279	15
AF8881	5/8" X 36" DA BOLT (4 SQ NUTS)	36"	Full	293	10
AFDA584000	5/8" X 40" DA BOLT (4 SQ NUTS)	40"	Full	322	10
AFDA584400	5/8" X 44" DA BOLT (4 SQ NUTS)	44"	Full	350	10

3/4" Diameter		20,050 lbs - Minimum Tensile Strength			
Catalog Name	Description	Length	Thread Length	Weight per 100	Box QTY
AF8883	3/4" X 10" DA BOLT (4 SQ NUTS)	10"	Full	161	25
AF8882	3/4" X 12" DA BOLT (4 SQ NUTS)	12"	Full	182	25
AF8884	3/4" X 14" DA BOLT (4 SQ NUTS)	14"	Full	202	25
AF8886	3/4" X 16" DA BOLT (4 SQ NUTS)	16"	Full	223	20
AF8888	3/4" X 18" DA BOLT (4 SQ NUTS)	18"	Full	244	20
AF8890	3/4" X 20" DA BOLT (4 SQ NUTS)	20"	Full	265	15
AF8892	3/4" X 22" DA BOLT (4 SQ NUTS)	22"	Full	286	15
AF8894	3/4" X 24" DA BOLT (4 SQ NUTS)	24"	Full	306	15
AF8896	3/4" X 26" DA BOLT (4 SQ NUTS)	26"	Full	327	15
AF8897	3/4" X 28" DA BOLT (4 SQ NUTS)	28"	Full	348	10
AF8898	3/4" X 30" DA BOLT (4 SQ NUTS)	30"	Full	369	15
AF8899	3/4" X 32" DA BOLT (4 SQ NUTS)	32"	Full	390	10
AF9003	3/4" X 34" DA BOLT (4 SQ NUTS)	34"	Full	410	10
AF9004	3/4" X 36" DA BOLT (4 SQ NUTS)	36"	Full	430	10
AF889838	3/4" X 38" DA BOLT (4 SQ NUTS)	38"	Full	450	10
AF889840	3/4" X 40" DA BOLT (4 SQ NUTS)	40"	Full	473	10
AF889842	3/4" X 42" DA BOLT (4 SQ NUTS)	42"	Full	494	10



5/8" Diameter		13,550 lbs - Minimum Tensile Strength			
Catalog Name	Description	Length	Thread Length	Weight per 100	Box QTY
AF8862-2	5/8" X 12" DA BOLT (2 SQ NUTS)	12"	Full	113	30
AF8864-2	5/8" X 14" DA BOLT (2 SQ NUTS)	14"	Full	128	30
AF8866-2	5/8" X 16" DA BOLT (2 SQ NUTS)	16"	Full	144	25
AF8868-2	5/8" X 18" DA BOLT (2 SQ NUTS)	18"	Full	159	25
AF8870-2	5/8" X 20" DA BOLT (2 SQ NUTS)	20"	Full	175	25
AF8872-2	5/8" X 22" DA BOLT (2 SQ NUTS)	22"	Full	190	25
AF8874-2	5/8" X 24" DA BOLT (2 SQ NUTS)	24"	Full	206	25
AF8876-2	5/8" X 26" DA BOLT (2 SQ NUTS)	26"	Full	222	25
AF8877-2	5/8" X 28" DA BOLT (2 SQ NUTS)	28"	Full	237	25
AF8878-2	5/8" X 30" DA BOLT (2 SQ NUTS)	30"	Full	253	25
AF8879-2	5/8" X 32" DA BOLT (2 SQ NUTS)	32"	Full	269	20
AF8880-2	5/8" X 34" DA BOLT (2 SQ NUTS)	34"	Full	284	15

3/4" Diameter		20,050 lbs - Minimum Tensile Strength			
Catalog Name	Description	Length	Thread Length	Weight per 100	Box QTY
AF8884-2	3/4" X 14" DA BOLT (2 SQ NUTS)	14"	Full	184	25
AF8886-2	3/4" X 16" DA BOLT (2 SQ NUTS)	16"	Full	207	20
AF8888-2	3/4" X 18" DA BOLT (2 SQ NUTS)	18"	Full	229	20
AF8890-2	3/4" X 20" DA BOLT (2 SQ NUTS)	20"	Full	252	15
AF8892-2	3/4" X 22" DA BOLT (2 SQ NUTS)	22"	Full	274	15
AF8896-2	3/4" X 26" DA BOLT (2 SQ NUTS)	26"	Full	311	15



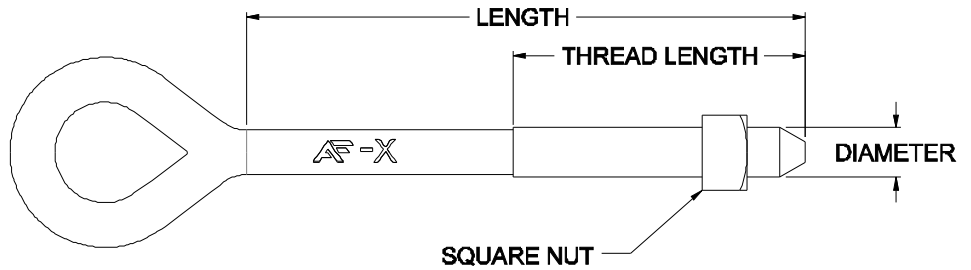
ALUMA-FORM®

Pole Line Hardware

Oval Eye Bolts

Features

- Supplied Assembled with Square Nut
- Rolled Threads
- Forged
- Cone points
- 1-1/2" x 2" Oval Eyes
- Hot dip galvanized to meet ASTM A153



5/8" Diameter		13,550 lbs - Minimum Tensile Strength			
Catalog Name	Description	Length	Thread Length	Weight per 100	Box QTY
AF9406	5/8" X 6" OVAL EYE BOLT	6"	4"	110	50
AF9408	5/8" X 8" OVAL EYE BOLT	8"	4"	125	25
AF9409	5/8" X 9" OVAL EYE BOLT	9"	4"	135	25
AF9410	5/8" X 10" OVAL EYE BOLT	10"	6"	142	25
AF9412	5/8" X 12" OVAL EYE BOLT	12"	6"	156	25
AF9414	5/8" X 14" OVAL EYE BOLT	14"	6"	168	25
AF9416	5/8" X 16" OVAL EYE BOLT	16"	6"	184	25
AF9418	5/8" X 18" OVAL EYE BOLT	18"	6"	212	25
AF9420	5/8" X 20" OVAL EYE BOLT	20"	6"	220	25
AF9422	5/8" X 22" OVAL EYE BOLT	22"	6"	232	20
AF9424	5/8" X 24" OVAL EYE BOLT	24"	6"	244	20

3/4" Diameter		20,050 lbs - Minimum Tensile Strength			
Catalog Name	Description	Length	Thread Length	Weight per 100	Box QTY
<i>AF9508</i>	<i>3/4" X 8" OVAL EYE BOLT</i>	<i>8"</i>	<i>4"</i>	<i>170</i>	<i>25</i>
AF9510	3/4" X 10" OVAL EYE BOLT	10"	4"	190	25
AF9512	3/4" X 12" OVAL EYE BOLT	12"	6"	216	25
AF9514	3/4" X 14" OVAL EYE BOLT	14"	6"	235	25
AF9516	3/4" X 16" OVAL EYE BOLT	16"	6"	254	25
AF9518	3/4" X 18" OVAL EYE BOLT	18"	6"	266	25
<i>AF9520</i>	<i>3/4" X 20" OVAL EYE BOLT</i>	<i>20"</i>	<i>6"</i>	<i>285</i>	<i>15</i>



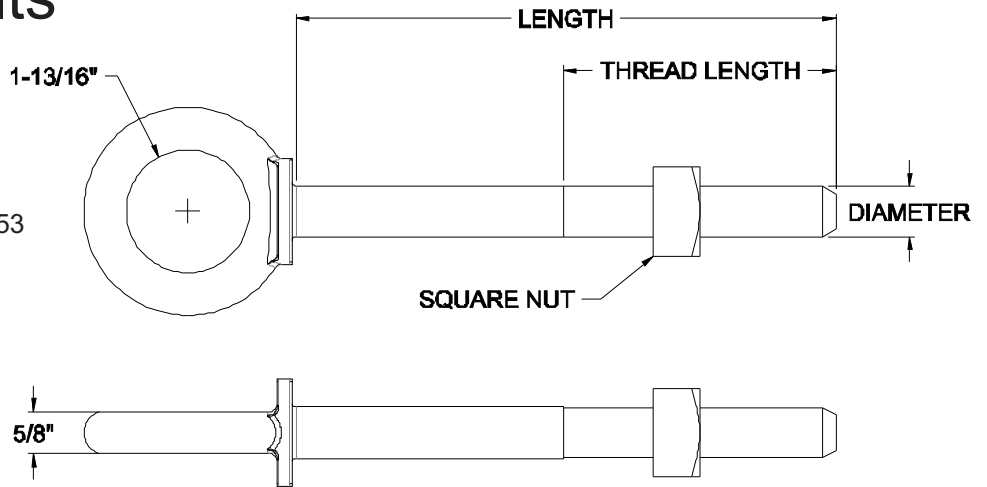
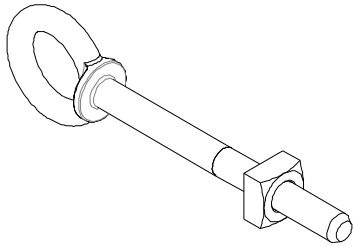
ALUMA-FORM®

Pole Line Hardware

Shoulder Eye Bolts

Features

- Supplied Assembled with Square Nut
- Rolled Threads
- Forged
- Cone points
- Hot dip galvanized to meet ASTM A153



3/4" Diameter		18,350 lbs - Minimum Tensile Strength			
Catalog Name	Description	Length	Thread Length	Weight per 100	Box QTY
AF9528	3/4" X 8" SHOULDER EYE BOLT	8"	4"	216	25
AF9530	3/4" X 10" SHOULDER EYE BOLT	10"	6"	221	25
AF9532	3/4" X 12" SHOULDER EYE BOLT	12"	6"	248	20
AF9534	3/4" X 14" SHOULDER EYE BOLT	14"	6"	280	20
AF9536	3/4" X 16" SHOULDER EYE BOLT	16"	6"	320	18



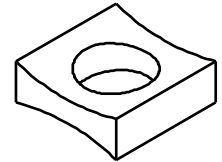
ALUMA-FORM®

Pole Line Hardware

Nuts, "MF" Style

Features

- Hot dip galvanized to meet ASTM A153

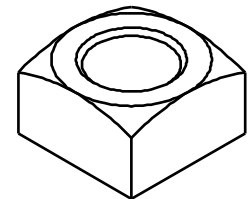


"MF" STYLE LOCKNUTS				
Catalog Name	Description	Diameter	Weight per 100	Box QTY
AF8581	3/8" "MF" STYLE LOCKNUT	3/8"	1.3	3000
AF8582	1/2" "MF" STYLE LOCKNUT	1/2"	2.5	1000
AF8583	5/8" "MF" STYLE LOCKNUT	5/8"	5.4	700
AF8584	3/4" "MF" STYLE LOCKNUT	3/4"	4.2	1000

Nuts, Square

Features

- Hot dip galvanized to meet ASTM A153



SQUARE NUTS				
Catalog Name	Description	Diameter	Weight per 100	Box QTY
AF8561	3/8" SQUARE NUT	3/8"	2.2	2000
AF8562	1/2" SQUARE NUT	1/2"	5.5	1000
AF8563	5/8" SQUARE NUT	5/8"	9	500
AF8564	3/4" SQUARE NUT	3/4"	13.8	250



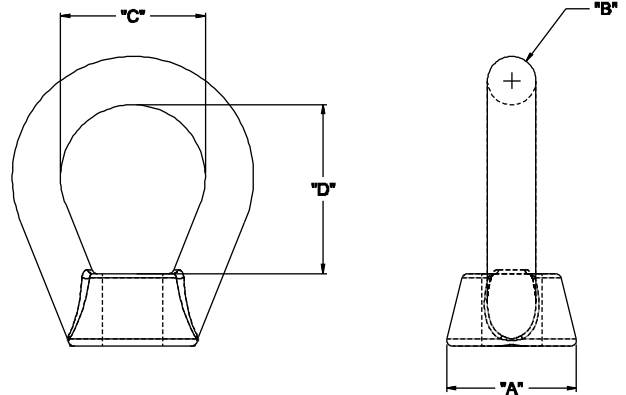
ALUMA-FORM®

Pole Line Hardware

Oval Eye Nuts

Features

- Hot dip galvanized to meet ASTM A153



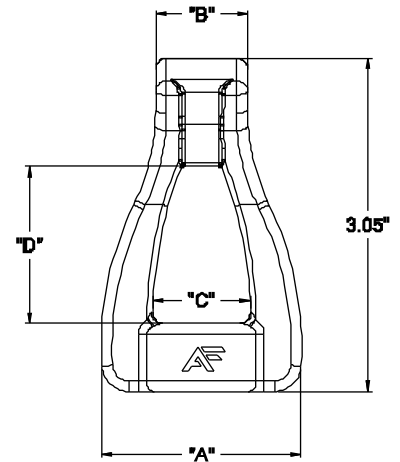
EYE NUTS (OVAL EYE)

Catalog Name	Description	Diameter	"A"	"B"	"C"	"D"	Weight per 100	Box QTY
AF1092	5/8" OVAL EYE NUT	5/8"	1-3/8"	1/2"	1-1/2"	1-3/4"	50	50
AF1093	3/4" OVAL EYE NUT	3/4"	1-3/8"	1/2"	1-1/2"	1-3/4"	50	50

Thimble Eye Nuts

Features

- Hot dip galvanized to meet ASTM A153



EYE NUTS (OVAL EYE)

Catalog Name	Description	Diameter	"A"	"B"	"C"	"D"	Weight per 100	Box QTY
AF6510	5/8" THIMBLE EYE NUT	5/8"	1.841"	.843"	.910"	1.438"	72	50
AF6511	3/4" THIMBLE EYE NUT	3/4"	1.841"	.843"	.910"	1.438"	70	50



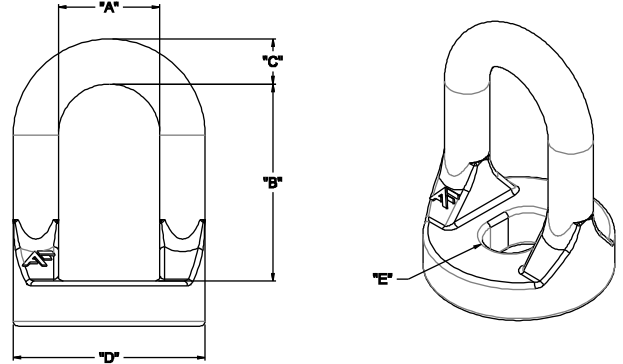
ALUMA-FORM®

Pole Line Hardware

Eyelets - 5/8" & 3/4"

Features

- Hot dip galvanized to meet ASTM A153



Eyelets - 5/8" & 3/4"

Catalog Name	Description	"A"	"B"	"C"	"D"	"E"	Weight per 100	Box QTY
AF1126	5/8" OVAL EYELET	1-1/4"	3"	9/16"	2-3/8"	11/16" X 1"	110	40
AF1127	3/4" OVAL EYELET	1-1/4"	3"	9/16"	2-3/8"	13/16" X 1"	108	40



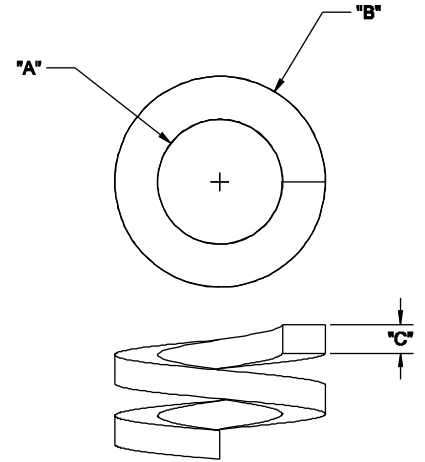
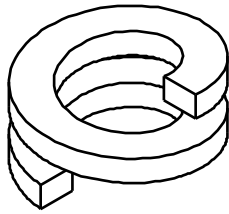
ALUMA-FORM®

Pole Line Hardware

Double Coil Lockwasher - Helical

Features

- Hot dip galvanized to meet ASTM A153

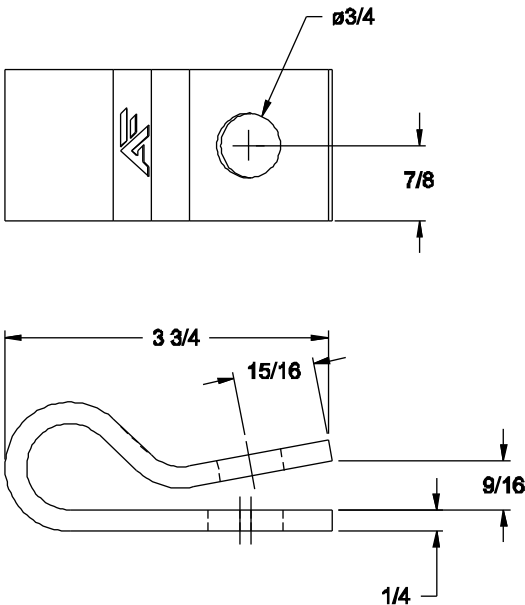
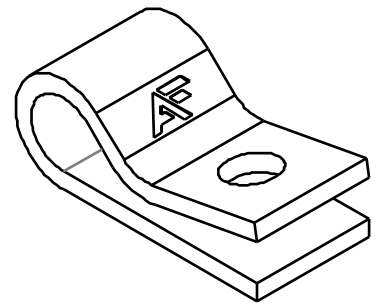


DOUBLE COIL HELICAL LOCKWASHER							
Catalog Name	Description	Bolt Size	"A"	"B"	"C"	Weight per 100	Box QTY
AF175	LCKWSHR SPRNG DBL COIL FOR 3/8 BLT	3/8"	.406"	.813"	.141"	1.1	3000
AF176	LCK WSHR SPRNG DBLE COIL HDG 1/2"	1/2"	.531"	.938"	.171"	3.2	1500
AF177	LCKWSHR SPRNG DBL COIL FOR 5/8 BLT	5/8"	.656"	1.141"	.203"	4.1	500
AF178	LCKWSHR SPRNG DBL COIL FOR 3/4 BLT	3/4"	.781"	1.313"	.234"	7	500

Spring Washer - Formed Steel

Features

- Hot dip galvanized to meet ASTM A153



CURVED - SQUARE WASHER			
Catalog Name	Description	Weight per 100	Box QTY
AF3541	3/4" X 1-3/4" WASHER SPRING CLIP	75	50



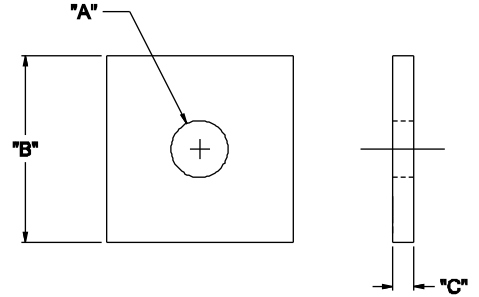
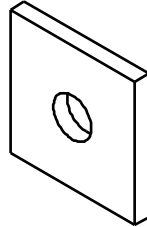
ALUMA-FORM®

Pole Line Hardware

Square Washer - Flat

Features

- Hot dip galvanized to meet ASTM A153

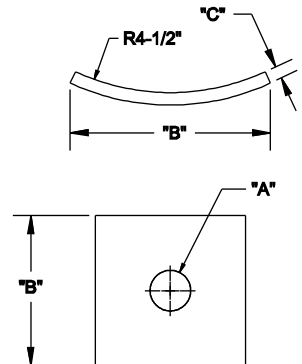
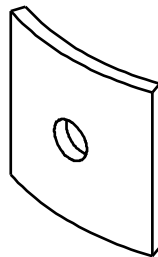


FLAT - SQUARE WASHER							
Catalog Name	Description	Bolt Size	"A"	"B"	"C"	Weight per 100	Box QTY
AF1073	SQUARE WASHER - 2" X 2" X 1/8"	1/2"	9/16"	2"	1/8"	84	50
AF1074	SQUARE WASHER - 2" X 2" X 1/8"	5/8"	11/16"	2"	1/8"	13	500
AF1076	SQUARE WASHER - 2-1/4" X 2-1/4" X 3/16"	3/4"	13/16"	2-1/4"	3/16"	23	250
AF1075	SQUARE WASHER - 2-1/4" X 2-1/4" X 3/16"	5/8"	11/16"	2-1/4"	3/16"	24	250
AF1078	SQUARE WASHER - 3" X 3" X 3/16"	3/4"	13/16"	3"	3/16"	48	100
AF1079	SQUARE WASHER - 3" X 3" X 1/4"	3/4"	13/16"	3"	1/4"	63	100
AF1080	SQUARE WASHER - 4" X 4" X 3/16"	3/4"	13/16"	4"	3/16"	95	25
AF1082	SQUARE WASHER - 4" X 4" X 1/4"	7/8"	15/16"	4"	1/4"	109	500

Square Washer - Curved

Features

- Hot dip galvanized to meet ASTM A153



CURVED - SQUARE WASHER							
Catalog Name	Description	Bolt Size	"A"	"B"	"C"	Weight per 100	Box QTY
AF6821	CURVED SQ WASHER - 2-1/4" X 2-1/4" X 3/16"	5/8"	11/16"	2-1/4"	3/16"	26	150
AF6822	CURVED SQ WASHER - 2-1/2" X 2-1/2" X 3/16"	5/8"	11/16"	2-1/2"	3/16"	33	150
AF113	CURVED SQ WASHER - 3" X 3" X 1/4"	5/8"	11/16"	3"	1/4"	61	50
AF6823	CURVED SQ WASHER - 3" X 3" X 1/4"	3/4"	13/16"	3"	1/4"	57	50
AF6829	CURVED SQ WASHER - 4" X 4" X 1/4"	7/8"	15/16"	4"	1/4"	109	50
AF6836	CURVED SQ WASHER - 4" X 4" X 1/4"	3/4"	13/16"	4"	1/4"	111	50



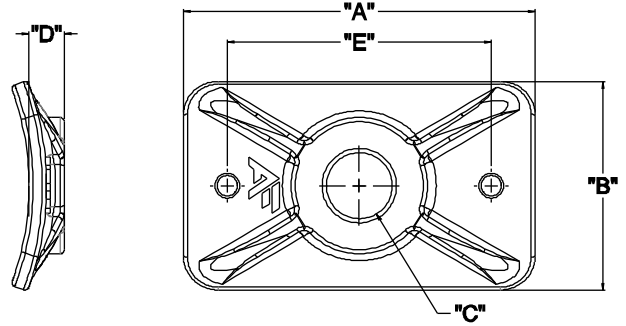
ALUMA-FORM®

Pole Line Hardware

Rectangular Washer - Curved

Features

- Ductile Iron
- Hot dip galvanized to meet ASTM A153

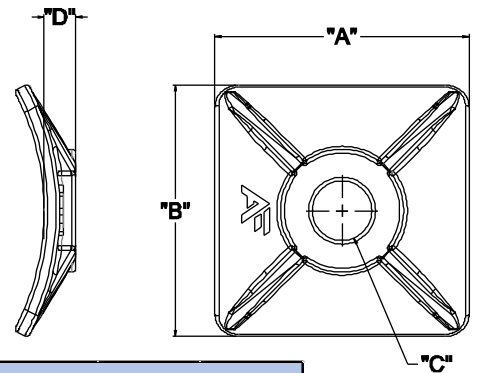


CAST WASHER - CURVED RECTANGULAR									
Catalog Name	Description	Maximum Bolt Size	"A"	"B"	"C"	"D"	"E"	Weight per 100	Box QTY
AFCW35-7	3" X 5" X 1/2" CURVED CAST WASHER	7/8"	5"	3"	15/16"	1/2"	3-3/4"	121	50
AFCW46-7	4" X 6" X 1/2" CURVED CAST WASHER	7/8"	6"	4"	15/16"	1/2"	4-1/2"	187	30
AFCW46-8	4" X 6" X 1/2" CURVED CAST WASHER	1"	6"	4"	1-1/16"	1/2"	4-1/2"	187	30

Square Washer - Curved

Features

- Ductile Iron
- Hot dip galvanized to meet ASTM A153

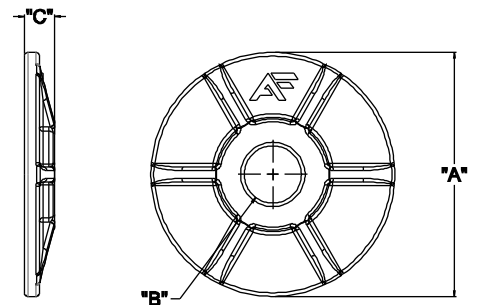


3/8" Diameter								
Catalog Name	Description	Maximum Bolt Size	"A"	"B"	"C"	"D"	Weight per 100	Box QTY
AFCW44-7	4" X 4" X 1/2" CURVED SQ CAST WASHER	7/8"	4"	4"	15/16"	1/2"	131	40
AFCW44-6	4" X 4" X 1/2" CURVED SQ CAST WASHER	3/4"	4"	4"	13/16"	1/2"	133	40
AFCW44-8	4" X 4" X 1/2" CURVED SQ CAST WASHER	1"	4"	4"	1-1/16"	1/2"	129	40

Square Washer - Round

Features

- Ductile Iron
- Hot dip galvanized to meet ASTM A153



ROUND CAST WASHER							
Catalog Name	Description	Maximum Bolt Size	"A"	"B"	"C"	Weight per 100	Box QTY
AFRW407	4" ROUND CAST WASHER	7/8"	4"	15/16"	1/2"	90	40



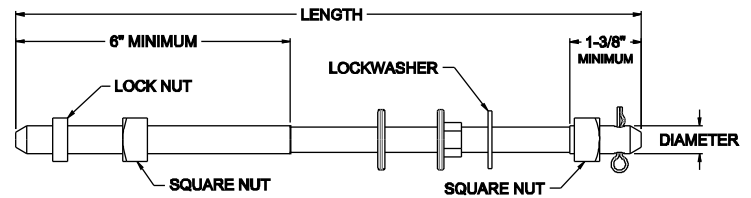
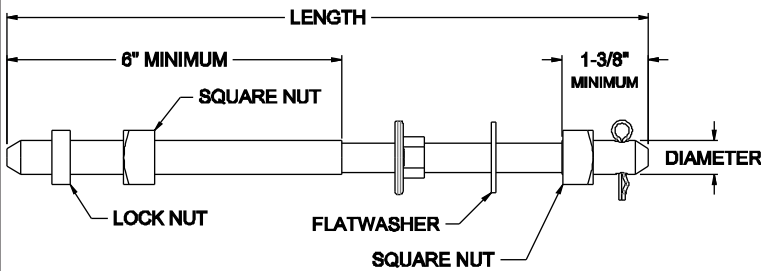
ALUMA-FORM®

Pole Line Hardware

Upset Bolts - Single & Double

Features

- Supplied Assembled with Square Nut
- Rolled Threads
- Forged
- Cone points
- Hot dip galvanized to meet ASTM A153



5/8" Diameter		13,550 lbs - Minimum Tensile Strength			
Catalog Name	Description	Length	Thread Length	Weight per 100	Box QTY
AF2341-1/2	5/8" X 7" SINGLE UPSET SPOOL	7"	6" & 1-3/8"	123	25
AF2342-1/2	5/8" X 8" SINGLE UPSET SPOOL	8"	6" & 1-3/8"	135	25
AF2343-1/2	5/8" X 9" SINGLE UPSET SPOOL	9"	6" & 1-3/8"	142	25
AF2344-1/2	5/8" X 10" SINGLE UPSET SPOOL	10"	6" & 1-3/8"	149	25
AF2346-1/2	5/8" X 12" SINGLE UPSET SPOOL	12"	6" & 1-3/8"	162	25
AF2348-1/2	5/8" X 14" SINGLE UPSET SPOOL	14"	6" & 1-3/8"	176	25
AF2350-1/2	5/8" X 16" SINGLE UPSET SPOOL	16"	6" & 1-3/8"	190	25
AF2352-1/2	5/8" X 18" SINGLE UPSET SPOOL	18"	6" & 1-3/8"	203	25
AF2354-1/2	5/8" X 20" SINGLE UPSET SPOOL	20"	6" & 1-3/8"	217	25

5/8" Diameter		13,550 lbs - Minimum Tensile Strength			
Catalog Name	Description	Length	Thread Length	Weight per 100	Box QTY
AF2394	5/8" X 8" DOUBLE UPSET SPOOL	8"	6" & 1-3/8"	154	25
AF2395	5/8" X 9" DOUBLE UPSET SPOOL	9"	6" & 1-3/8"	162	25
AF2396	5/8" X 10" DOUBLE UPSET SPOOL	10"	6" & 1-3/8"	169	25
AF2398	5/8" X 12" DOUBLE UPSET SPOOL	12"	6" & 1-3/8"	183	25
AF2400	5/8" X 14" DOUBLE UPSET SPOOL	14"	6" & 1-3/8"	198	25



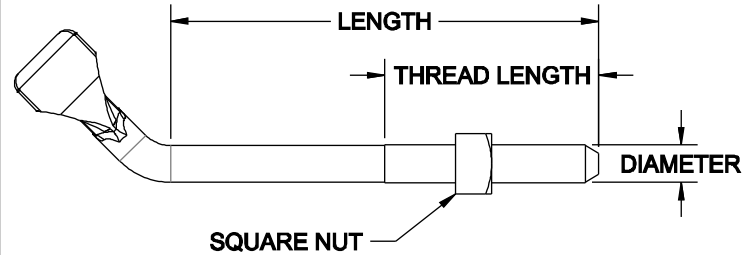
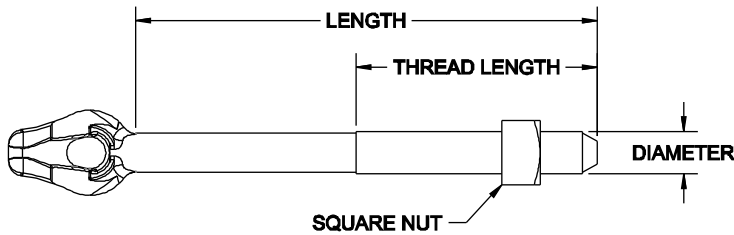
ALUMA-FORM®

Pole Line Hardware

Thimble Eye Bolts (0° & 45°)

Features

- Supplied Assembled with Square Nut
- Rolled Threads
- Forged
- Cone points
- Hot dip galvanized to meet ASTM A153



5/8" Diameter		13,550 lbs - Minimum Tensile Strength			
Catalog Name	Description	Length	Thread Length	Weight per 100	Box QTY
AF8050	5/8" X 8" THIMBLE EYE BOLT (0°)	8"	4"	121	25
AF8051	5/8" X 10" THIMBLE EYE BOLT (0°)	10"	4"	135	25
AF8052	5/8" X 12" THIMBLE EYE BOLT (0°)	12"	6"	149	25
AF8053	5/8" X 14" THIMBLE EYE BOLT (0°)	14"	6"	163	25
AF8054	5/8" X 16" THIMBLE EYE BOLT (0°)	16"	6"	177	25
AF8055	5/8" X 18" THIMBLE EYE BOLT (0°)	18"	6"	192	25

5/8" Diameter		13,550 lbs - Minimum Tensile Strength			
Catalog Name	Description	Length	Thread Length	Weight per 100	Box QTY
AF8150	5/8" X 8" THIMBLE EYE BOLT (45°)	8"	4"	139	25
AF8151	5/8" X 10" THIMBLE EYE BOLT (45°)	10"	4"	153	25
AF8152	5/8" X 12" THIMBLE EYE BOLT (45°)	12"	6"	185	25
AF8153	5/8" X 14" THIMBLE EYE BOLT (45°)	14"	6"	171	25
AF8154	5/8" X 16" THIMBLE EYE BOLT (45°)	16"	6"	199	25
AF8155	5/8" X 18" THIMBLE EYE BOLT (45°)	18"	6"	213	25

3/4" Diameter		20,050 lbs - Minimum Tensile Strength			
Catalog Name	Description	Length	Thread Length	Weight per 100	Box QTY
AF5608	3/4" X 8" THIMBLE EYE BOLT (0°)	8"	4"	176	20
AF5610	3/4" X 10" THIMBLE EYE BOLT (0°)	10"	4"	197	20
AF8062	BOLT THMB EYE 3/4X12 W/SQ NUT	12"	6"	217	20
AF8063	BOLT THMB EYE 3/4X14 W/SQ NUT	14"	6"	238	20
AF5615	3/4" X 15" THIMBLE EYE BOLT (0°)	15"	6"	249	20
AF5620	3/4" X 20" THIMBLE EYE BOLT (0°)	20"	6"	301	20
AF5624	3/4" X 24" THIMBLE EYE BOLT (0°)	24"	6"	342	20

3/4" Diameter		20,050 lbs - Minimum Tensile Strength			
Catalog Name	Description	Length	Thread Length	Weight per 100	Box QTY
AF8160	3/4" X 8" THIMBLE EYE BOLT (45°)	8"	4"	172	20
AF8161	3/4" X 10" THIMBLE EYE BOLT (45°)	10"	4"	193	20
AF8162	3/4" X 12" THIMBLE EYE BOLT (45°)	12"	6"	236	20
AF8163	3/4" X 14" THIMBLE EYE BOLT (45°)	14"	6"	215	20
AF8164	3/4" X 16" THIMBLE EYE BOLT (45°)	16"	6"	257	20
AF8165	3/4" X 18" THIMBLE EYE BOLT (45°)	18"	6"	278	20



ALUMA-FORM®

Pole Line Hardware

Lag Bolts - Twist, Fetter, & Gimlet Point

Features:

- Hot Dip Galvanized Steel
- Rolled Threads
- Gimlet Point Lag screws designed for wrench installation
- Fetter Drive Lag screws designed for wrench or hammer installation
- Twist drive lag screws designed for wrench or hammer installation



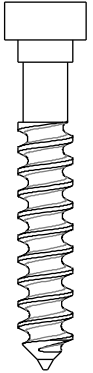
TWIST DRIVE DRIVE POINT



FETTER DRIVE REGULAR POINT



FETTER DRIVE DRIVE POINT



GIMLET POINT

TWIST DRIVE - PILOT POINT LAG SCREW						
Catalog Name	Description	Diameter	Length	Thread Length	Weight per 100	Box QTY
AF8754TP	1/2" X 4" LAG SCREW, TWIST DRIVE	1/2"	4"	2-5/8"	19	250

FETTER DRIVE - PILOT POINT LAG SCREW						
Catalog Name	Description	Diameter	Length	Thread Length	Weight per 100	Box QTY
AF8743P	3/8" X 3" LAG SCREW, FETTER DRIVE	3/8"	3"	2"	9	500
AF8744P	3/4" X 4" LAG SCREW, FETTER DRIVE	3/8"	4"	3"	11	500

FETTER DRIVE - DRIVE POINT LAG SCREW						
Catalog Name	Description	Diameter	Length	Thread Length	Weight per 100	Box QTY
AF8753P	1/2" X 3" LAG SCREW, FETTER DRIVE	1/2"	3"	2-1/4"	18	250
AF8754P	1/2" X 4" LAG SCREW, FETTER DRIVE	1/2"	4"	2-5/8"	21	250
AF875412P	1/2" X 4-1/2" LAG SCREW, FETTER DRIVE	1/2"	4-1/2"	3"	23	150
<i>AF508755P</i>	<i>1/2" X 5" LAG SCREW, FETTER DRIVE</i>	<i>1/2"</i>	<i>5"</i>	<i>3"</i>	<i>25</i>	<i>150</i>

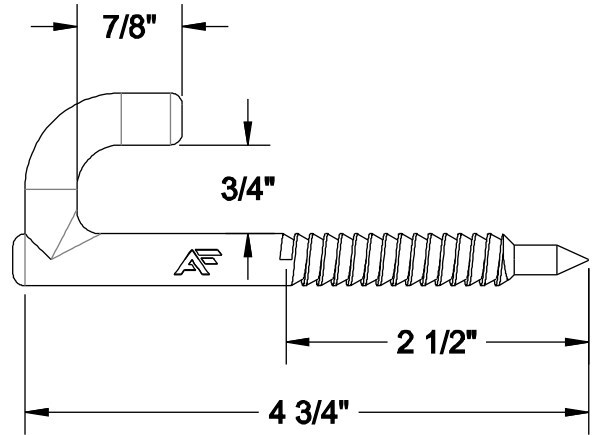
GIMLET LAG SCREW						
Catalog Name	Description	Diameter	Length	Thread Length	Weight per 100	Box QTY
AF872112	1/4" X 1-1/2" LAG SCREW, GIMLET POINT	1/4"	1-1/2"	1-1/8"	2	2000
AF8722	1/4" X 2" LAG SCREW, GIMLET POINT	1/4"	2"	1-1/2"	2	2000
AF872212	1/4" X 2-1/2" LAG SCREW, GIMLET POINT	1/4"	2-1/2"	1-3/4"	3	2000
<i>AFDF1L3</i>	<i>1/4" X 3" LAG SCREW, GIMLET POINT</i>	<i>1/4"</i>	<i>3"</i>	<i>2"</i>	<i>3</i>	<i>1000</i>



ALUMA-FORM®

Pole Line Hardware

Drive Hook Lag Screw



Drive Hook - Fetter Drive			
Catalog Name	Description	Weight per 100	Box QTY
AF3316P	7/16" X 4-3/4" DRIVE HOOK - FETTER DRIVE	25	200



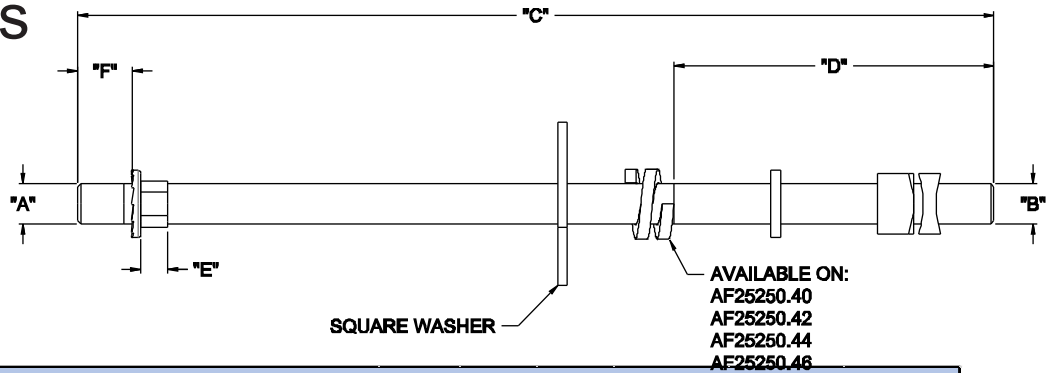
ALUMA-FORM®

Pole Line Hardware

Line Post Studs

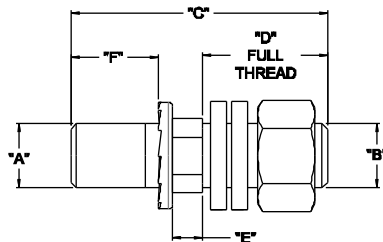
Features

- Supplied Assembled
- Hot dip galvanized



LINE POST STUD - 3/4" X 5/8" SHANK									
Catalog Name	Description	"A"	"B"	"C"	"D"	"E"	"F"	Weight per 100	Box QTY
AF25248.46	3/4" X 5/8" X 16" LINE POST STUD	3/4"	3/4"	16"	6"	1/2"	1-1/8"	204	10
AF25248.40	3/4" X 5/8" X 20" LINE POST STUD	3/4"	3/4"	20"	6"	1/2"	1-1/8"	239	10
AF2548.42	3/4" X 5/8" X 24" LINE POST STUD	3/4"	3/4"	24"	8"	1/2"	1-1/8"	274	10
AF2548.44	3/4" X 5/8" X 28" LINE POST STUD	3/4"	3/4"	28"	8"	1/2"	1-1/8"	309	10
AF25248.1	3/4" X 5/8" X 7-1/2" LINE POST STUD	3/4"	3/4"	7-1/2"	4"	1/2"	1-1/8"	122	25

LINE POST STUD - 3/4" X 3/4" SHANK									
Catalog Name	Description	"A"	"B"	"C"	"D"	"E"	"F"	Weight per 100	Box QTY
AF25250.46	3/4" X 3/4" X 16" LINE POST STUD	3/4"	3/4"	16"	6"	1/2"	1-1/8"	260	15
AF25250.40	3/4" X 3/4" X 20" LINE POST STUD	3/4"	3/4"	20"	6"	1/2"	1-1/8"	302	15
AF25250.42	3/4" X 3/4" X 24" LINE POST STUD	3/4"	3/4"	24"	8"	1/2"	1-1/8"	345	15
AF25250.44	3/4" X 3/4" X 28" LINE POST STUD	3/4"	3/4"	28"	8"	1/2"	1-1/8"	388	15
AF25250.1	3/4" X 3/4" X 7-1/2" LINE POST STUD	3/4"	3/4"	7-1/2"	4"	1/2"	1-1/8"	157	25



LINE POST STUD - 3/4" X 3/4" SHORT SHANK									
Catalog Name	Description	"A"	"B"	"C"	"D"	"E"	"F"	Weight per 100	Box QTY
AF25249.1	3/4" X 3/4" X 3" LINE POST STUD	3/4"	3/4"	3"	Full	3/8"	1-1/8"	58	100



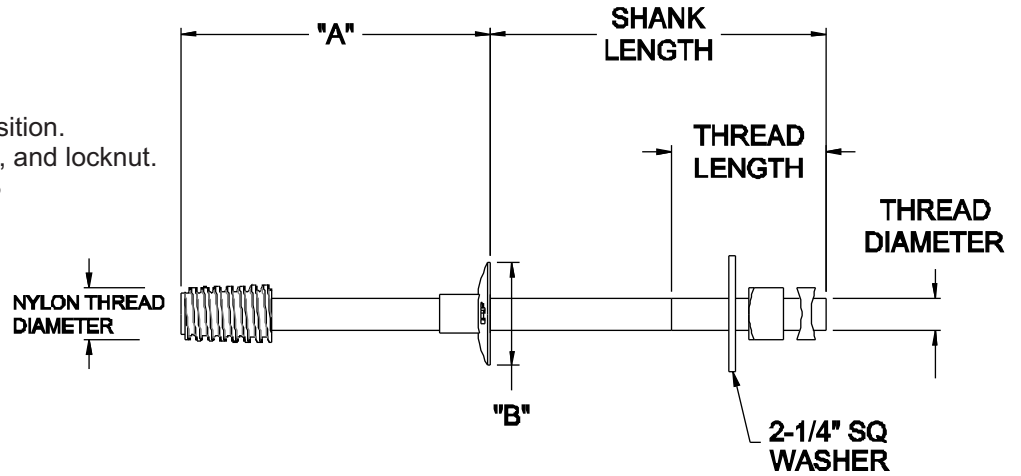
ALUMA-FORM®

Pole Line Hardware

Insulator Pins - Long Shank

Features

- Large base for load distribution
- Forged
- Square shoulder for rotating into position.
- Includes square washer, square nut, and locknut.
- Hot Dip Galvanized per ASTM A153
- Nylon Threads comes standard



5/8" Long Shank Insulator Pins - 1" Nylon Threads

Catalog Name	Description	Thread Diameter	"A"	Nylon Thread Diameter	"B" Base Diameter	Shank Length	Thread Length	Weight per 100	Box QTY
AF207	5/8" X 6" (6-1/2" SHANK) INSULATOR PIN	5/8"	6"	1"	2"	6-1/2"	3"	190	25
AFP40581	5/8" X 6" (7-1/2" SHANK) INSULATOR PIN	5/8"	6"	1"	2"	7-1/2"	3"	206	25
AF203	5/8" X 5" (5-3/4" SHANK) INSULATOR PIN	5/8"	5"	1"	2"	5-3/4"	3"	138	25
AF204	5/8" X 5" (6-1/2" SHANK) INSULATOR PIN	5/8"	5"	1"	2"	6-1/2"	3"	144	25
AF2802	5/8" X 5" (8" SHANK) INSULATOR PIN	5/8"	5"	1"	2"	8"	3"	157	20
AF206	5/8" X 5-3/4" (6" SHANK) INSULATOR PIN	5/8"	6"	1"	2"	6"	3"	147	25

5/8" Long Shank Insulator Pins - 1-3/8" Nylon Threads

Catalog Name	Description	Thread Diameter	"A"	Nylon Thread Diameter	"B" Base Diameter	Shank Length	Thread Length	Weight per 100	Box QTY
AF647	5/8" X 7" (7" SHANK) INSULATOR PIN	5/8"	7"	1-3/8"	3"	7"	3"	290	10

3/4" Long Shank Insulator Pins - 1-3/8" Nylon Threads

Catalog Name	Description	Thread Diameter	"A"	Nylon Thread Diameter	"B" Base Diameter	Shank Length	Thread Length	Weight per 100	Box QTY
AF608	3/4" X 8" (7" SHANK) INSULATOR PIN	3/4"	8"	1-3/8"	3"	7"	3-1/2"	446	10



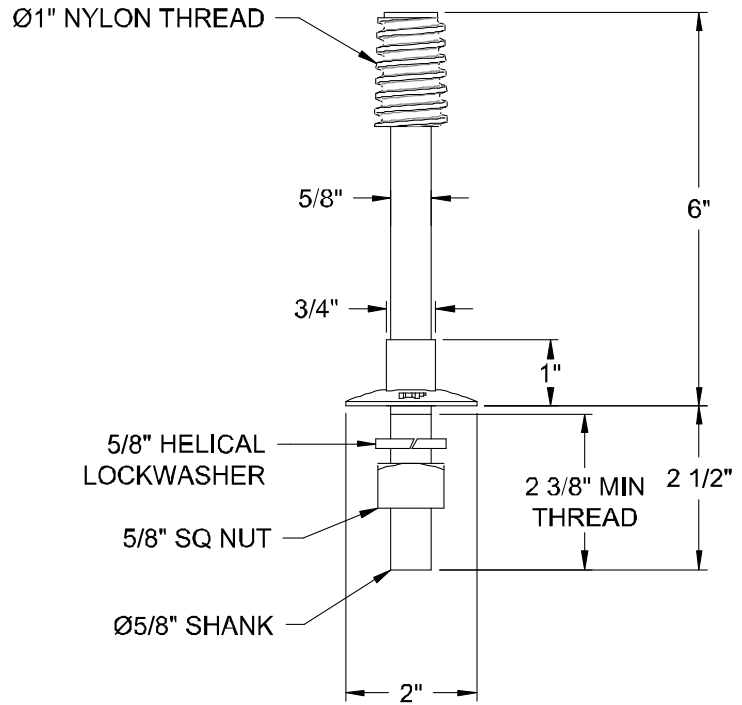
ALUMA-FORM®

Pole Line Hardware

Insulator Pins - Short Shank

Features

- Large base for load distribution
- Forged
- Square shoulder for rotating into position.
- Includes square washer, square nut, and locknut.
- Hot Dip Galvanized per ASTM A153
- Nylon Threads comes standard



5/8" Short Shank Insulator Pins - 1" Nylon Threads									
Catalog Name	Description	Thread Diameter	"A"	Nylon Thread Diameter	"B" Base Diameter	Shank Length	Thread Length	Weight per 100	Box QTY
AF222	5/8" X 6" (2-1/2" SHANK) INSULATOR PIN	5/8"	7"	1"	2"	6"	2-3/8"	110	25



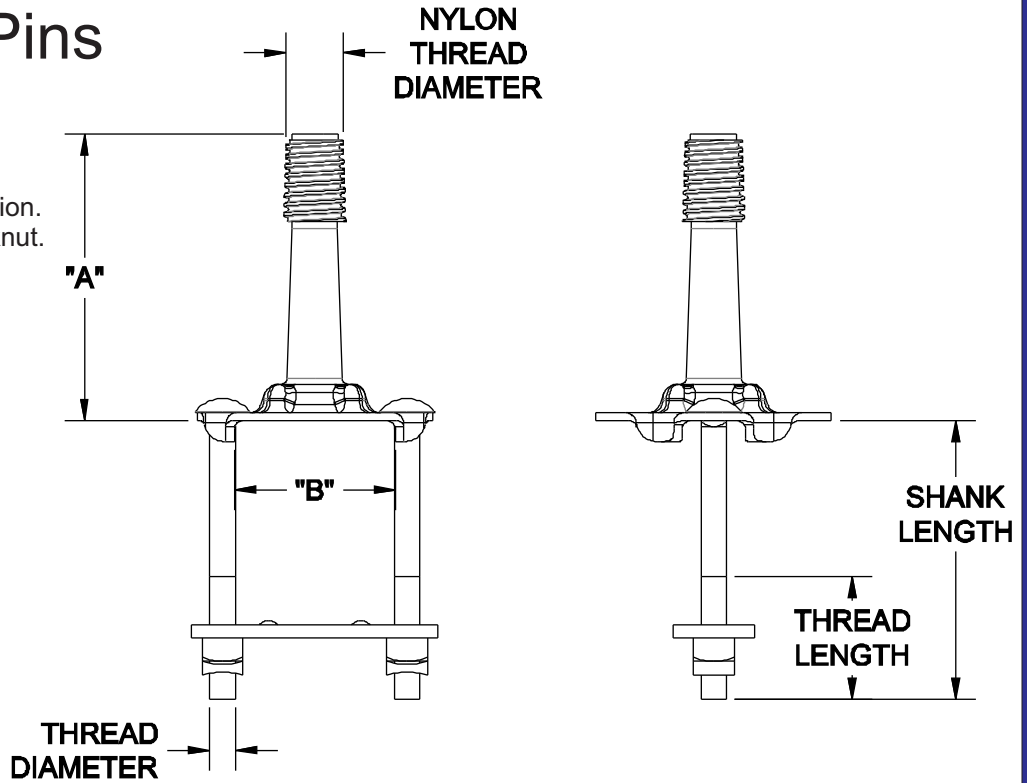
ALUMA-FORM®

Pole Line Hardware

Clamp Insulator Pins

Features

- Large base for load distribution
- Forged
- Square shoulder for rotating into position.
- Includes washer, square nut, and locknut.
- Hot Dip Galvanized per ASTM A153
- Nylon Threads comes standard



Clamp Pins - w/Nylon Threads									
Catalog Name	Description	Thread Diameter	"A"	Nylon Thread Diameter	"B" Inside Base	Shank Length	Thread Length	Weight per 100	Box QTY
AF3322	3-3/4" X 4-3/4" CLAMP PIN (1" THREADS)	5/8"	5.77"	1"	3.93"	7"	3"	495	8
AF3324	3-3/4" X 4-3/4" CLAMP PIN (1-3/8" THREADS)	5/8"	7"	1-3/8"	3.93"	7"	3"	551	8



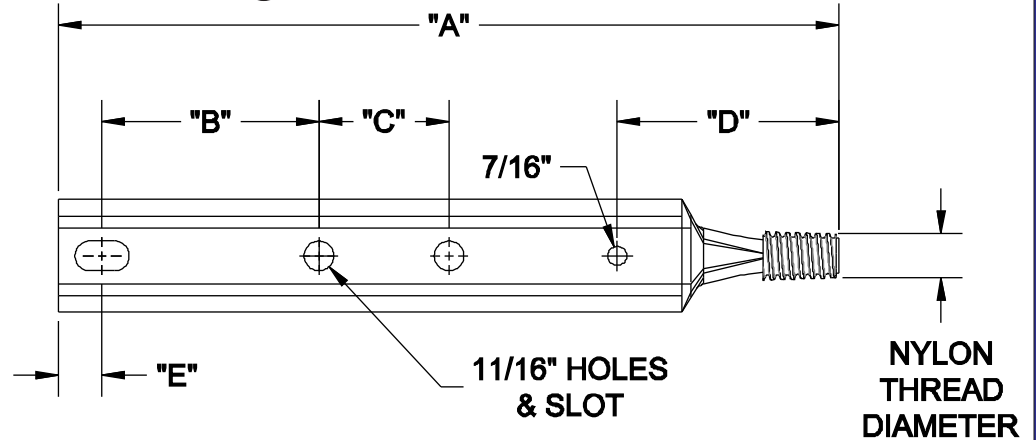
ALUMA-FORM®

Pole Line Hardware

Steel Insulator Pins "Straight"

Features

- Hot Dip Galvanized per ASTM A153
- Nylon Threads comes standard



Steel Insulator Pins - 1" Nylon Threads									
Catalog Name	Description	Nylon Thread Diameter	"A"	"B"	"C"	"D"	"E"	Weight per 100	Box QTY
AF715	15" STRAIGHT BASE INSULATOR PIN (2 HOLE)	1"	15"	5"	-	5-1/8"	1"	232	10
<i>AF2170</i>	<i>18" STRAIGHT BASE INSULATOR PIN (3 HOLE)</i>	<i>1"</i>	<i>18"</i>	<i>5"</i>	<i>3"</i>	<i>5-1/8"</i>	<i>1"</i>	<i>308</i>	<i>5</i>
<i>AFC2060106P</i>	<i>18" STRAIGHT BASE INSULATOR PIN (2 HOLE)</i>	<i>1"</i>	<i>18"</i>	<i>8"</i>	-	<i>5-1/8"</i>	<i>1"</i>	<i>309</i>	<i>5</i>
AF1220	20" STRAIGHT BASE INSULATOR PIN (3 HOLE)	1"	20"	5"	3"	5-1/8"	1"	314	10
AF740	20" STRAIGHT BASE INSULATOR PIN (2 HOLE)	1"	20"	8"	-	5-1/8"	1"	320	10
<i>AFC2060227</i>	<i>21" STRAIGHT BASE INSULATOR PIN (2 HOLE)</i>	<i>1"</i>	<i>21"</i>	<i>5"</i>	-	<i>5-1/8"</i>	<i>1"</i>	<i>368</i>	<i>5</i>
<i>AF2171</i>	<i>24" STRAIGHT BASE INSULATOR PIN (3 HOLE)</i>	<i>1"</i>	<i>24"</i>	<i>6"</i>	<i>2"</i>	<i>5-1/8"</i>	<i>1"</i>	<i>460</i>	<i>5</i>
AFC2060140	24" STRAIGHT BASE INSULATOR PIN (3 HOLE)	1"	24"	5"	3"	5-1/8"	1"	460	5
<i>AF21971</i>	<i>24" STRAIGHT BASE INSULATOR PIN (3 HOLE)</i>	<i>1"</i>	<i>24"</i>	<i>5"</i>	<i>3"</i>	<i>5-1/8"</i>	<i>1"</i>	<i>572</i>	<i>5</i>
AF1368	18" STRAIGHT BASE INSULATOR PIN (3 HOLE)	1"	18"	5"	3"	5-1/8"	1"	287	10

Steel Insulator Pins - 1-3/8" Nylon Threads									
Catalog Name	Description	Nylon Thread Diameter	"A"	"B"	"C"	"D"	"E"	Weight per 100	Box QTY
AF720	20" STRAIGHT BASE INSULATOR PIN (2 HOLE)	1-3/8"	20"	8"	-	5-1/8"	1-3/8"	350	10



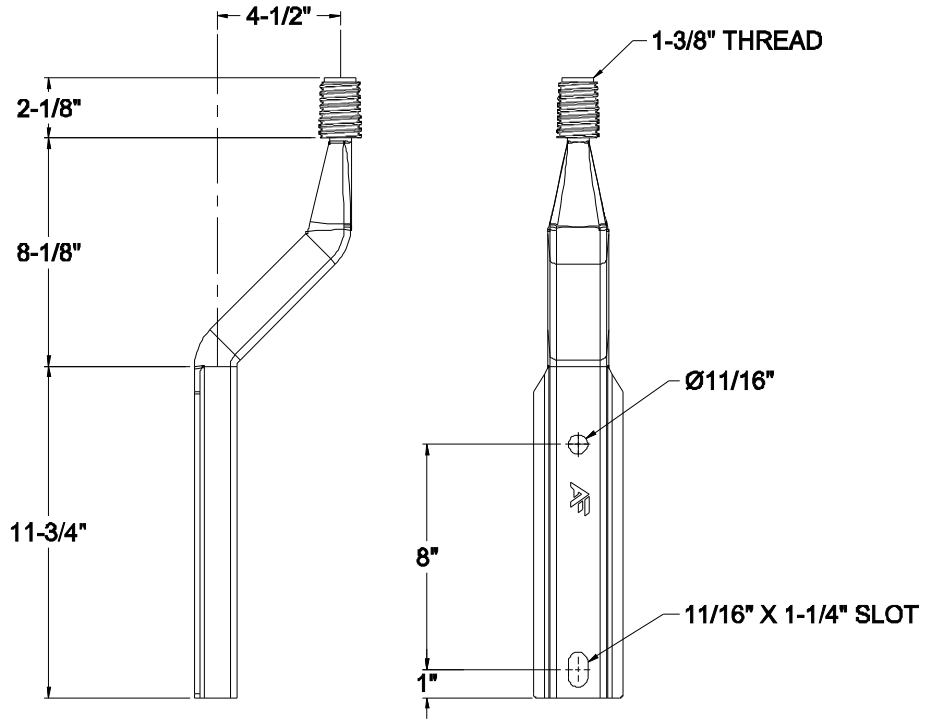
ALUMA-FORM®

Pole Line Hardware

Steel Insulator Pin "Offset"

Features

- Hot Dip Galvanized per ASTM A153
- Nylon Threads comes standard



Steel Insulator Pins - 1-3/8" Nylon Threads				
Catalog Name	Description	Nylon Thread Diameter	Weight per 100	Box QTY
AF25179	22" STRAIGHT BASE INSULATOR PIN (2 HOLE)	1-3/8"	350	10



ALUMA-FORM®

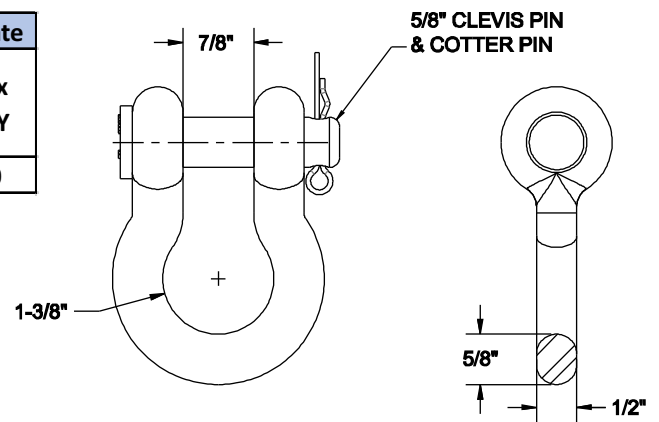
Pole Line Hardware

Anchor Shackle

Features

Hot dip galvanized to meet ASTM A153

Secondary Rack		25,000# Ultimate	
Catalog Name	Description	Weight per 100	Box QTY
AF2742	5/8" ANCHOR SHACKLE ANCHOR & PIN	92	50





ALUMA-FORM®

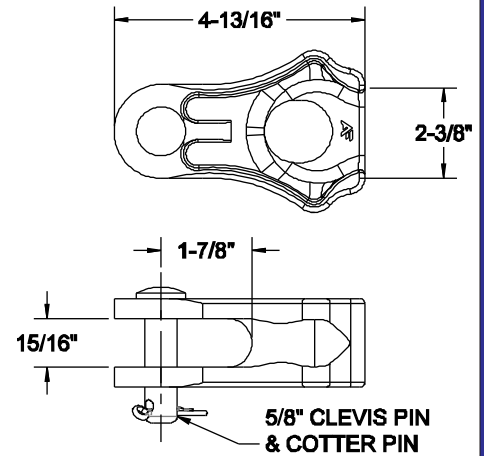
Pole Line Hardware

Clevis - Thimble (Ductile Iron)

Features

Hot dip galvanized to meet ASTM A153

20,000# Thimble Clevis - Ductile Iron			
Catalog Name	Description	Weight per 100	Box QTY
AFCT-88	20K 7/8" THIMBLE CLEVIS - 5/8" PIN	150	25





ALUMA-FORM®

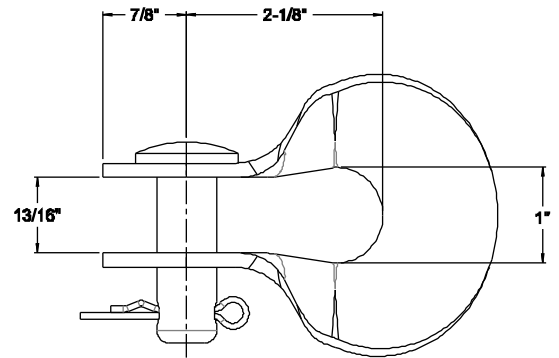
Pole Line Hardware

Clevis - Thimble (Pressed) Steel

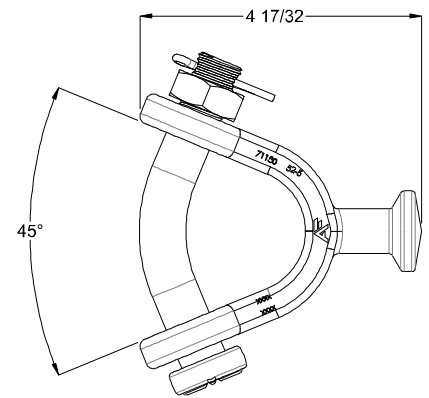
Features

Hot dip galvanized to meet ASTM A153

Thimble Clevis - Pressed Steel			
Catalog Name	Description	Weight per 100	Box QTY
AF555	THIMBLE CLEVIS - 5/8" PIN 1" CABLE DIA	90	50



BALL CLEVIS BALL			35,000 lbs Tensile
Catalog Name	Description	Weight per 100	Box QTY
AF-YCB-65A	BALL CLEVIS BALL	196.3	25





ALUMA-FORM®

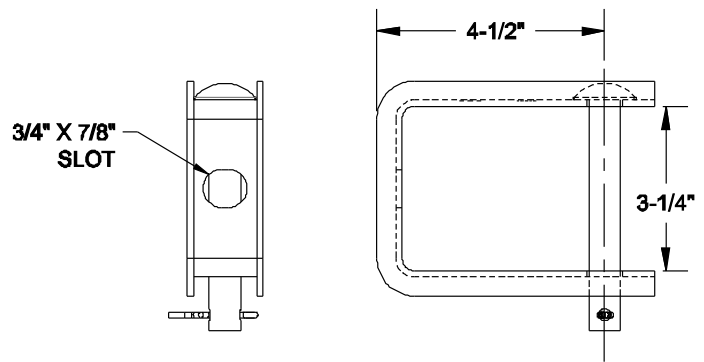
Pole Line Hardware

Clevis - Insulated Secondary & Deadend

Insulated Secondary & Deadend			
Catalog Name	Description	Weight per 100	Box QTY
AF93	INSULATED CLEVIS W SLOT & PIN	149	30

Features

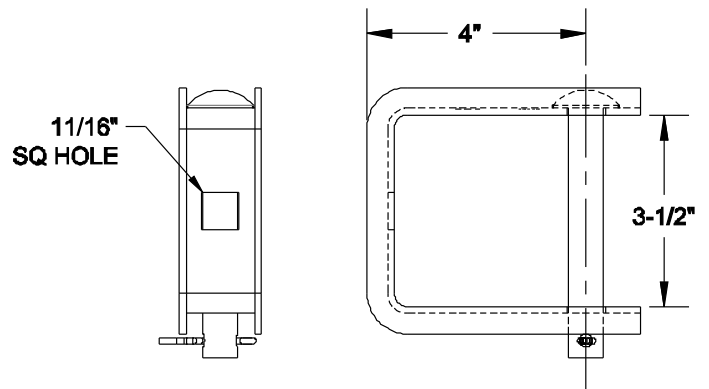
Hot dip galvanized to meet ASTM A153



Insulated Secondary & Deadend			
Catalog Name	Description	Weight per 100	Box QTY
AF093	INSULATED CLEVIS W SQ HOLE & PIN	140	30

Features

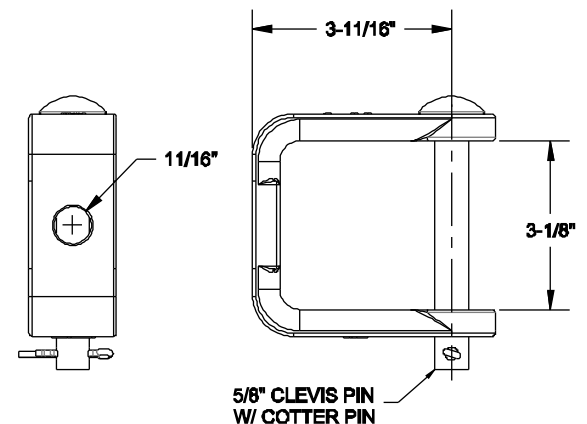
- Hot dip galvanized to meet ASTM A153



Insulated Secondary & Deadend - Aluminum			
Catalog Name	Description	Weight per 100	Box QTY
AFCCA-5-312	ALUMINUM CLEVIS SECONDARY ALUMINUM	85	25

Features

- A356 CAST ALUMINUM





ALUMA-FORM®

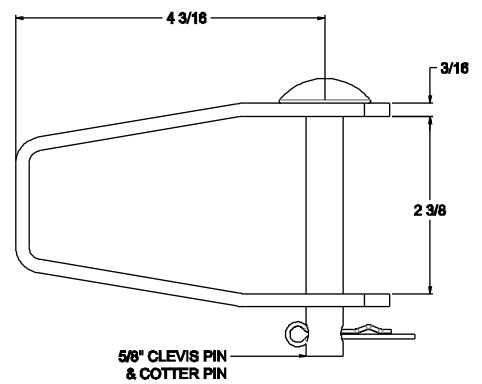
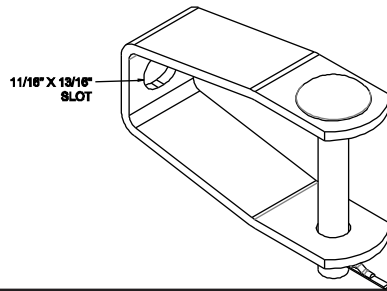
Pole Line Hardware

Clevis - Insulated Secondary & Deadend

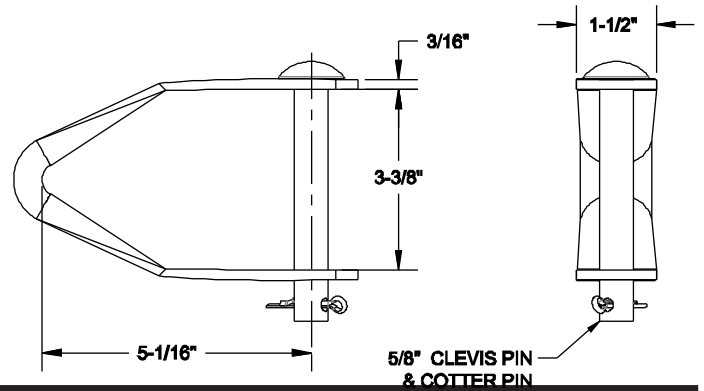
Features

Hot dip galvanized to meet ASTM A153

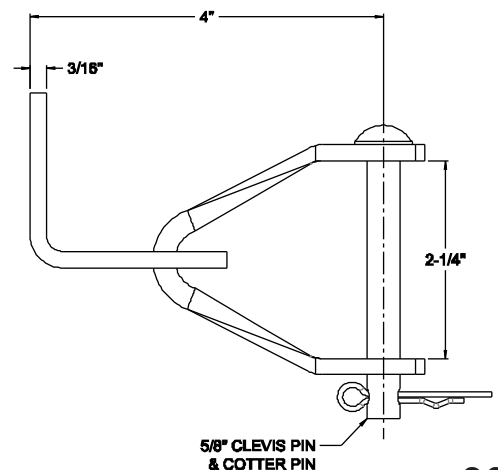
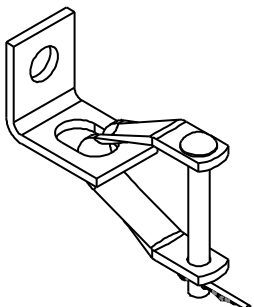
Insulated Secondary & Deadend			
Catalog Name	Description	Weight per 100	Box QTY
AF0313	INSULATOR CLEVIS - 5/8" BOLTS	107	50



Insulated Secondary & Deadend			
Catalog Name	Description	Weight per 100	Box QTY
AF0322	SWINGING CLEVIS FOR 5/8 INSULATOR	150	30



Insulated Secondary & Deadend - Swinging			
Catalog Name	Description	Weight per 100	Box QTY
AF1626	SWINGING CLEVIS FOR 5/8 INSULATOR	95	50





ALUMA-FORM®

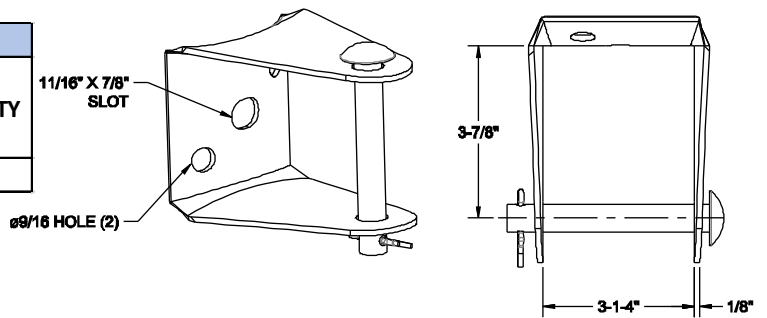
Pole Line Hardware

Clevis - Insulated Secondary & Deadend

Features

Hot dip galvanized to meet ASTM A153

Insulated Secondary & Deadend			
Catalog Name	Description	Weight per 100	Box QTY
AF1300	CLEVIS SECONDARY FOR 5/8 INSULATOR	189	25





ALUMA-FORM®

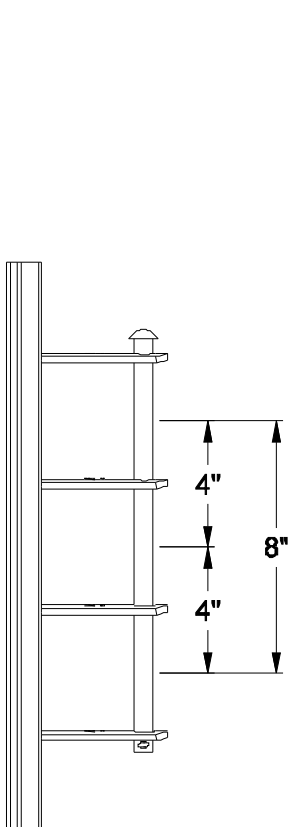
Pole Line Hardware

Secondary Rack

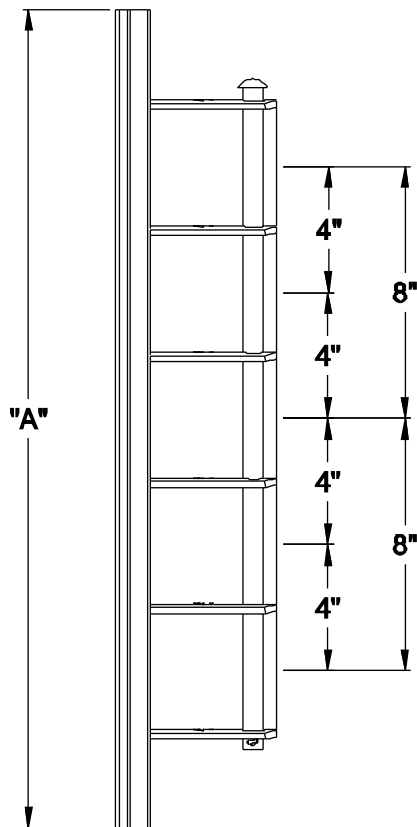
Features

Hot dip galvanized to meet ASTM A153

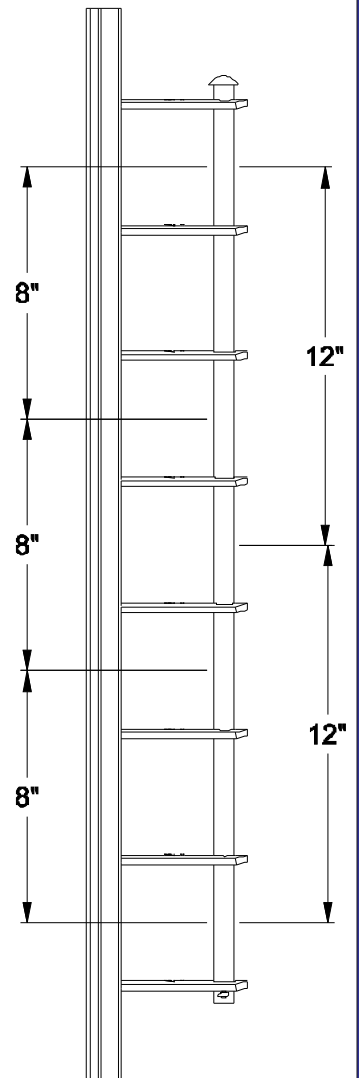
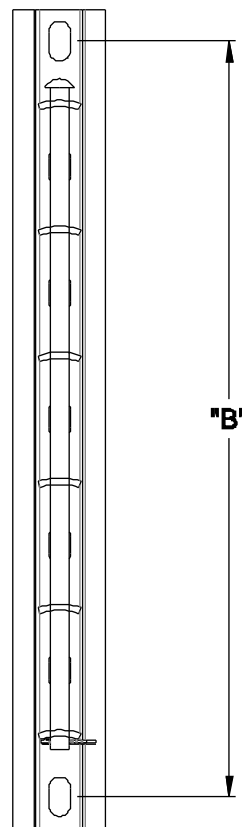
Secondary Rack					
Catalog Name	Description	"A"	"B"	Weight per 100	Box QTY
AF767	SECONDARY RACK 2 & 3 WIRE - 18"	18	16	489	5
AF768	SECONDARY RACK 3 WIRE - 26"	26	24	729	5
AF769	SECONDARY RACK 3 & 4 WIRE - 34"	34	32	748	5



AF767



AF768



AF769



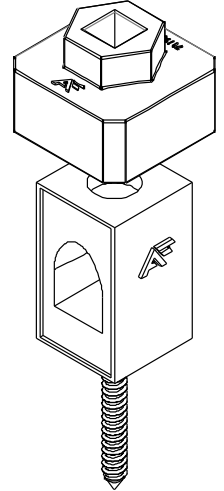
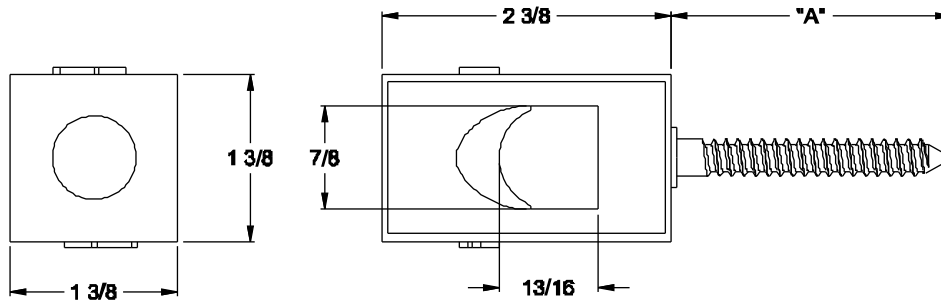
ALUMA-FORM®

Pole Line Hardware

Wireholder - Lag Screw

Features

- Nylon wire holder material
- Hot dip galvanized to meet ASTM A153

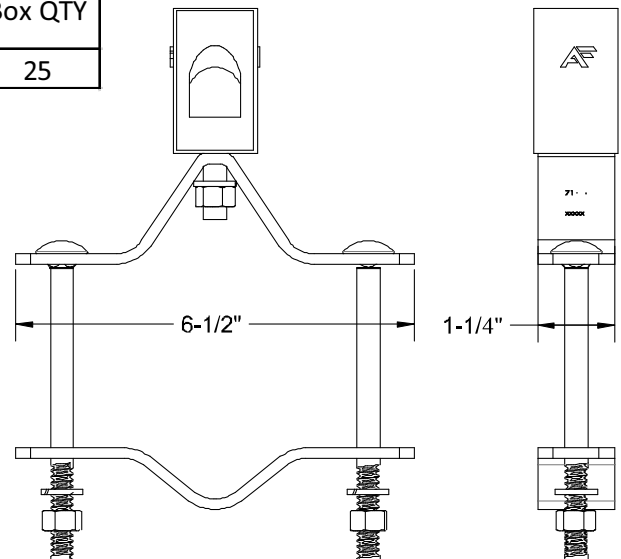


Secondary Rack					
Catalog Name	Description	Lag Diameter	"A"	Weight per 100	Box QTY
AF2070138	5/16 X 2-1/4 LAG SCREW WIREHOLDER **	5/16"	2-1/4"	34	50
AF2070139	5/16 X 2-3/4 LAG SCREW WIREHOLDER **	5/16"	2-3/4"	35	50
AF2070140	5/16 X 3-3/4 LAG SCREW WIREHOLDER **	5/16"	3-3/4"	36	50

** QTY (1) AF2070143 - INSTALLATION TOOL SHIPPED IN EACH BOX

Wire Holder

Catalog Name	Description	Weight per 100	Box QTY
AF20700144	WIRE HOLDER ASSEMBLY	154	25





ALUMA-FORM®

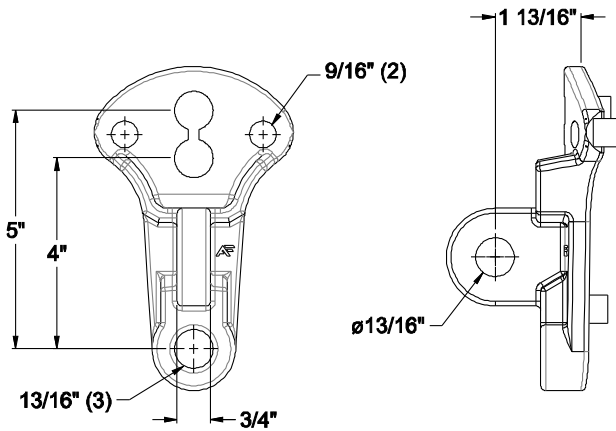
Pole Line Hardware

Pole Eye Guy Attachments

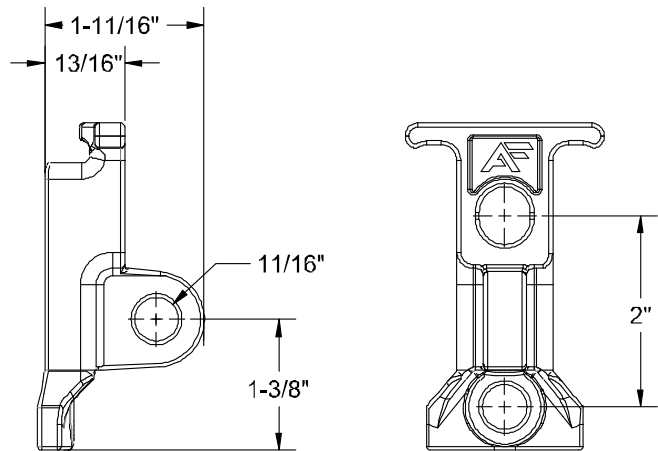
Features

Hot dip galvanized to meet ASTM A153

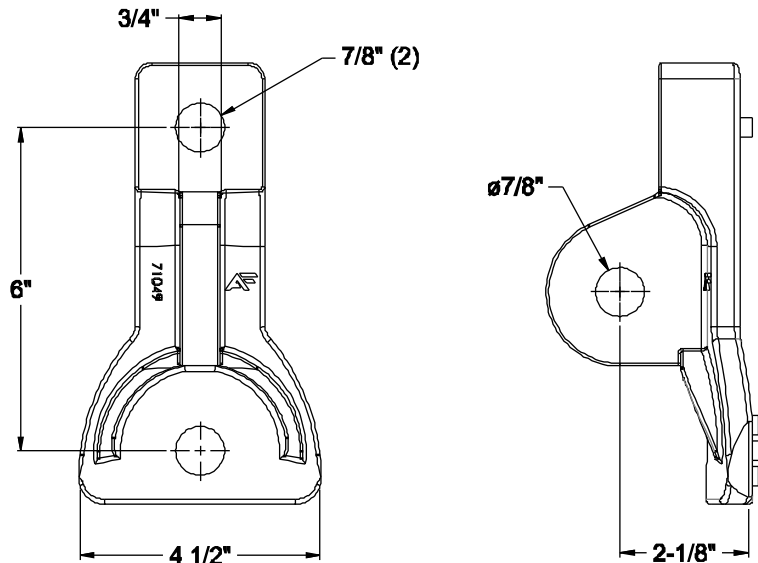
Pole Eye Guy Attachments			
Catalog Name	Description	Weight per 100	Box QTY
AFPEP-66-45	POLE EYE GUY ATTACHMENT - 3/4 MOUNTING	261	15



Guy Attachment			
Catalog Name	Description	Weight per 100	Box QTY
AFMGA-345N	GUY ATTACHMENT	154.8	25



Pole Eye Guy Attachments			
Catalog Name	Description	Weight per 100	Box QTY
AFEPR-77-7	POLE EYE GUY ATTACHMENT - 3/4 MOUNTING	540	15





ALUMA-FORM®

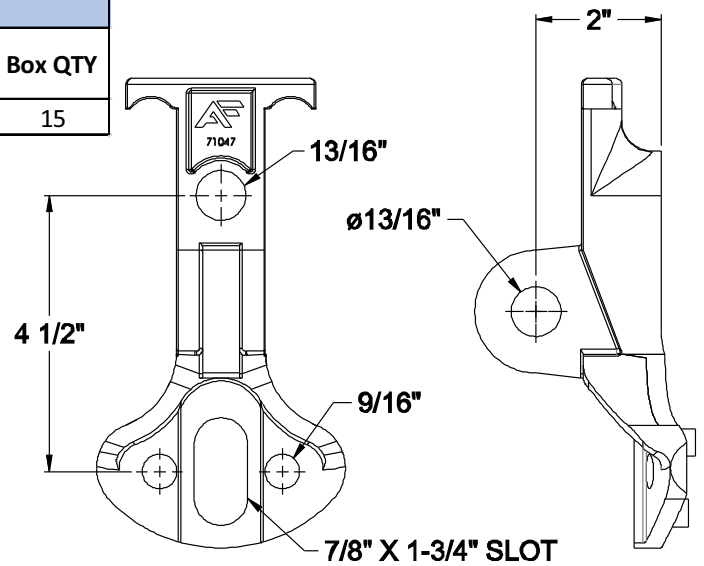
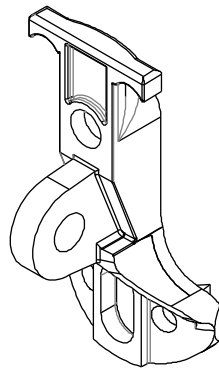
Pole Line Hardware

Pole Eye Guy Attachments

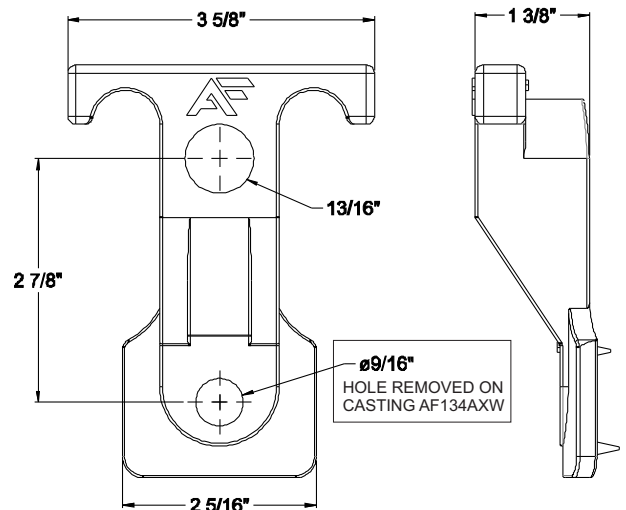
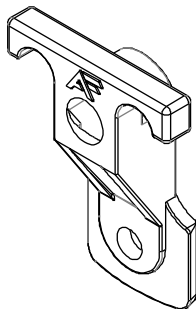
Features

Hot dip galvanized to meet ASTM A153

Combination Guy Attachment			
Catalog Name	Description	Weight per 100	Box QTY
AFP345A	COMBINATION GUY ATTACHMENT	292	15



Pole Eye Guy Attachments			
Catalog Name	Description	Weight per 100	Box QTY
AF133A	GUY HOOK ATTACH 20K 3/4 - DOUBLE BOLT	152	25
AF134AXW	GUY HOOK ATTACH 20K 3/4 - SINGLE BOLT	128	25





ALUMA-FORM®

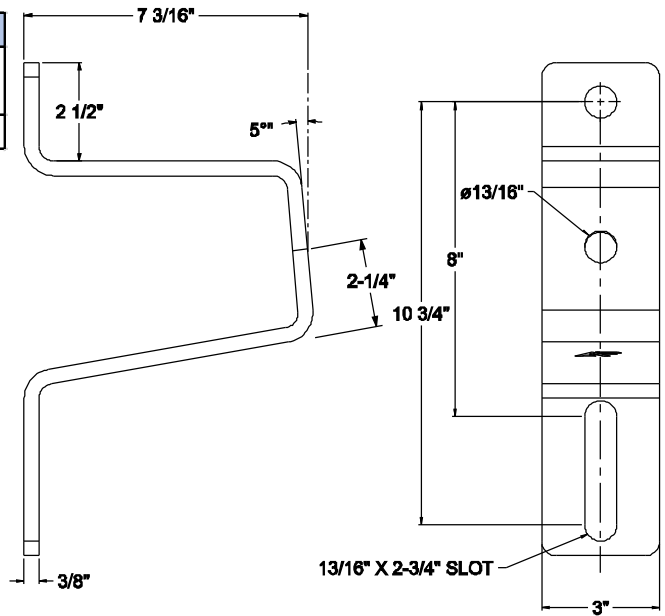
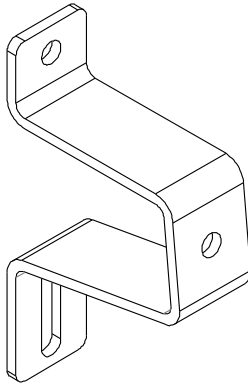
Pole Line Hardware

Line Post Support Bracket

Features

Hot dip galvanized to meet ASTM A153

Line Post Insulator Bracket		25,000# Ultimate	
Catalog Name	Description	Weight per 100	Box QTY
AFSF-HIB-810-7-6	POST INSULATOR BRACKET	733	6





ALUMA-FORM®

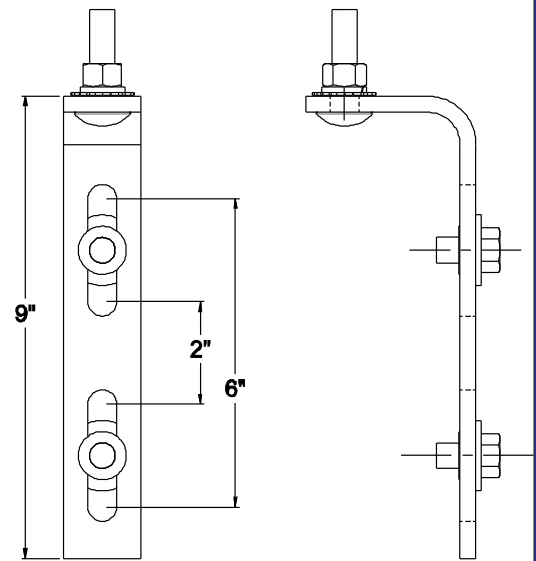
Pole Line Hardware

Mounting Brackets

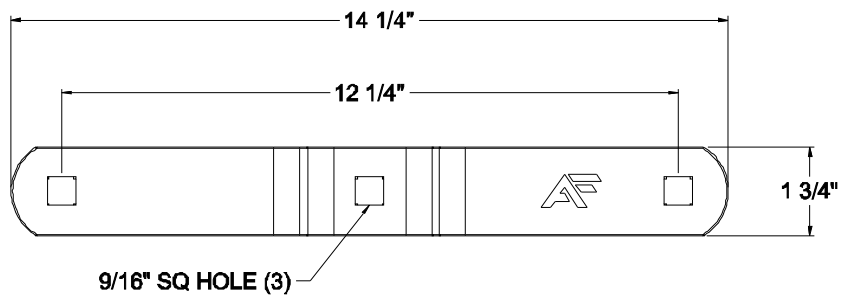
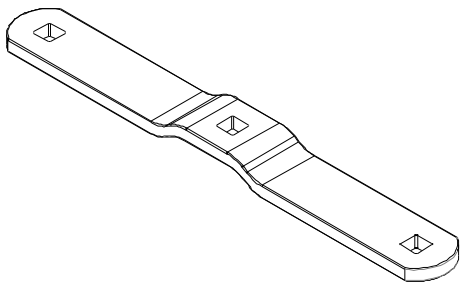
Features

Hot dip galvanized to meet ASTM A153

Arrester Mounting Bracket			
Catalog Name	Description	Weight per 100	Box QTY
AF26710	ARRESTER MOUNTING BRACKET	157	25



C&A Mount			
Catalog Name	Description	Weight per 100	Box QTY
AF-SF-MS-12-44	CUTOUT & ARRESTER MOUNT	251	25





ALUMA-FORM®

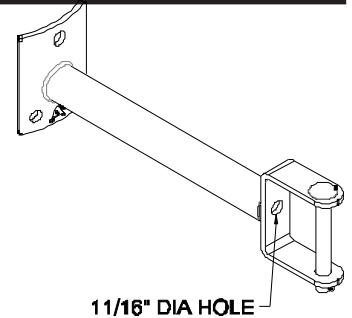
Pole Line Hardware

Extension Bracket

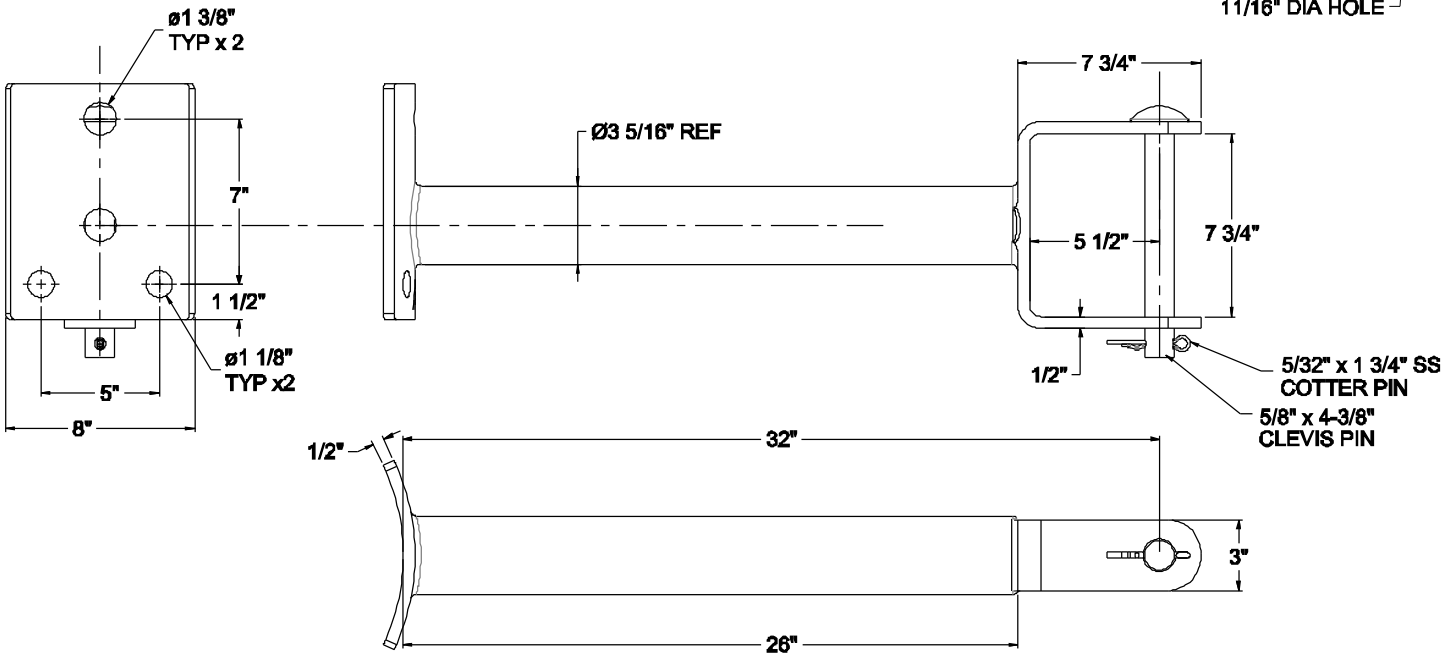
Features

Hot dip galvanized to meet ASTM A153

Standoff			
Catalog Name	Description	Weight per 100	Box QTY
AF-D-2358-13	NEUTRAL STANDOFF BRACKET	432	6



1 1/16" DIA HOLE





ALUMA-FORM®

Pole Line Hardware

Guy Clamp

Features

Hot dip galvanized to meet ASTM A153

Guy Clamp				
Catalog Name	Description	Figure	Weight per 100	Box QTY
<i>AF930</i>	<i>GUY CLMP STR 3 HOLE 5/8" BOLTS</i>	<i>1</i>	<i>224</i>	<i>20</i>
AF931	GUY CLMP STR 3 HOLE 5/8" BOLTS	1	283	20
<i>AF932</i>	<i>GUY CLMP STR 3 HOLE 5/8" BOLTS</i>	<i>2</i>	<i>181</i>	<i>20</i>

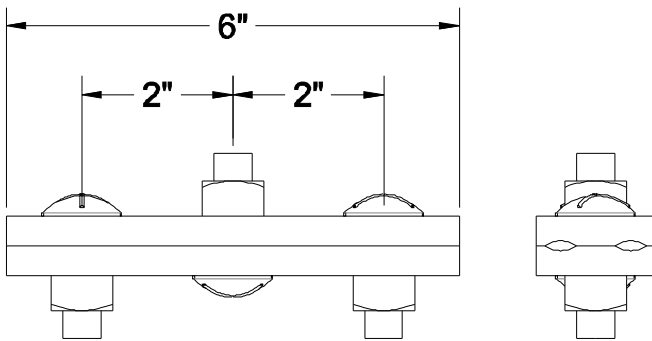
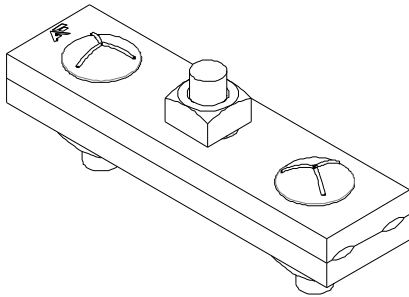


FIGURE #1

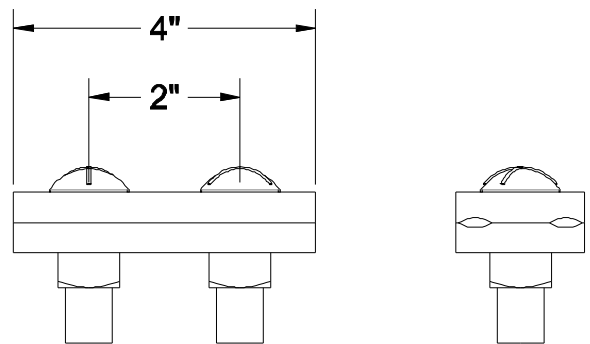
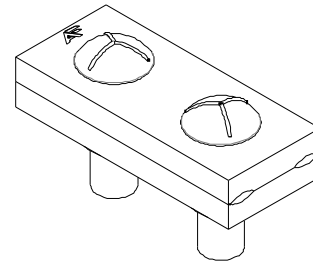


FIGURE #2



ALUMA-FORM®

Pole Line Hardware

Grid Gain

Grid Gain		
Catalog Name	Description	Weight per Each
AFGGSF-7052-7	GRID GAIN, 5-5/16" x 4" x .8125"	2.36
AFGGSF-7052-8	GRID GAIN, 5-5/16" x 4" x 1"	2.34

